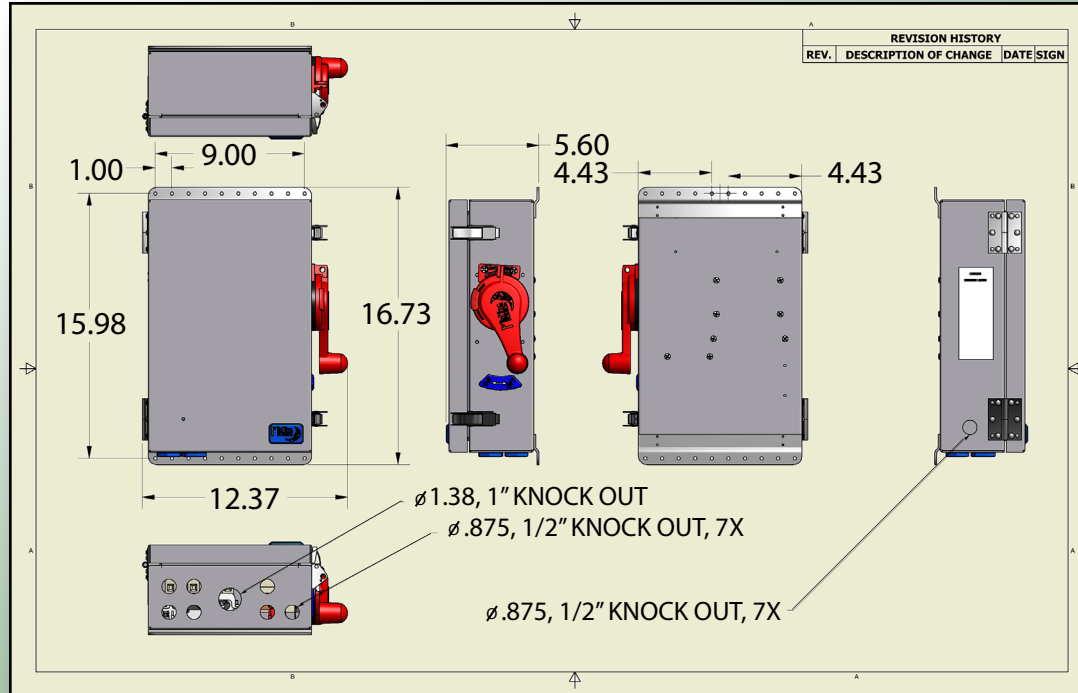


MNPV6HV Disconnecting Combiner



MidNite Solar offers a range of disconnecting PV Combiners from our MNPV4HV to the MNPV16HV This range of combiners accommodates PV systems as small as a four string off grid cabin up to 16 strings for a 50KW commercial grid tie inverter.



MidNite Solar's PV6HV Disconnecting Combiner Specifications

MNPV6HV 100A/600V

Enclosure rating	NEMA 4X
Enclosure material	Powder coated aluminum with stainless hardware
Mounting options and angle	Vertical wall mount, pole mount or sloped roof - Any angle
Number of PV strings	Six strings
Maximum number of output circuits	One
Wire range for string input	14 to 6 AWG (1.63mm to 4.11mm)
Maximum OCPD rating	30 amps (Comes with 15 amp fuses standard)
Output switch rating (Load break rated)	100 amps
Output wire range	14 to 2/O AWG (1.63mm to 9.27mm)
Lug temperature rating	90° C
Deadfront	Custom molded plastic deadfront
Lockable	Yes
Rating	UL1741
Surge protector included	Yes
Fuses & fuse holders included	Yes
Strain reliefs & hole plugs included	Yes
Birdhouse compatible with optional power supply board	Yes