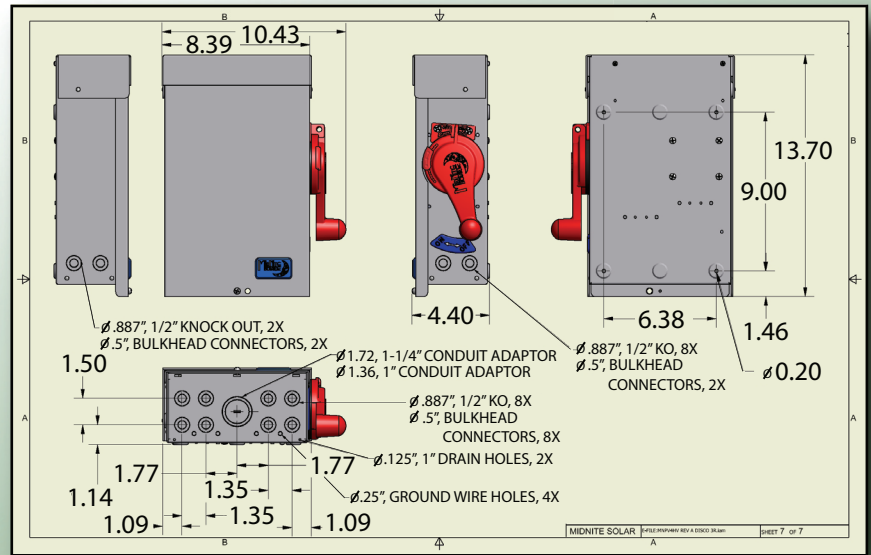


# MNPV4HV 3R Disconnecting Combiner

MidNite Solar offers a range of disconnecting PV Combiners from our MNPV4HV to the MNPV16HV. This range of combiners accommodates PV systems as small as a four string off grid cabin up to 16 strings for a 50KW commercial grid tie inverter.



## MidNite Solar's PV4HV 3R Disconnecting Combiner Specifications

	MNPV4HV-Basic 80A/600V	MNPV4HV-Deluxe 80A/600V
Enclosure rating	NEMA 3R	NEMA 3R
Enclosure material	Powder coated aluminum with stainless hardware	Powder coated aluminum with stainless hardware
Mounting options and angle	Vertical wall mount, pole mount or sloped roof mount to 14 degrees incline (3 in 12 roof pitch)	Vertical wall mount, pole mount or sloped roof mount to 14 degrees incline (3 in 12 roof pitch)
Number of PV strings	Four strings	Four strings
Maximum number of output circuits	One	One
Wire range for string input	14 to 6 AWG (1.63mm to 4.11mm)	14 to 6 AWG (1.63mm to 4.11mm)
Maximum OCPD rating	30 amp	30 amps (Comes with 15 amp fuses standard)
Busbar output rating	80 amps	80 amps
Switch output rating	100 amps (Load break rated)	100 amps (Load break rated)
Output wire range	14 to 1/0 (1.63mm to 8.25mm)	14 to 1/0 AWG (1.63mm to 8.25mm)
Lug temperature rating	90° C	90° C
Deadfront	Custom molded plastic deadfront	Custom molded plastic deadfront
Lockable	Yes	Yes
Rating	UL1741	UL1741
Surge protector included	No	Yes
Fuses and fuse holders included	No	Yes
Strain reliefs & hole plugs included	No	Yes
Birdhouse compatible with optional power supply board	No	Yes