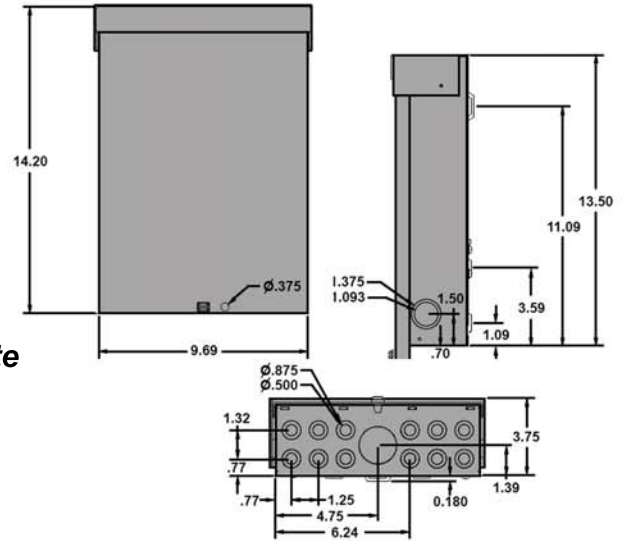


PV COMBINERS MNPV6-240 AND MNPV6-3PH

20 Years of PV Combiner Excellence

Features

- * All aluminum powder coated housing that won't rust
- * Flip up cover with tool-less latch that can stay in the open position during installation
- * Chassis ground bus bar (#1 4-6 and #1 /0-1 4)
- * Standard din rail to mount up to 6 breakers
- * Tin plated copper bus bar to combine breaker outputs
- * Dead front cover snaps into place after wiring is complete for safety
- * Knockouts on bottom and sides



MNPV6-3PH

Breakers sold separately

MNPV6-240



Product Specifications

	MNPV6-240	MNPV6-3PH
Maximum VAC	240	480
Maximum number of input circuits	3	2
PV SOURCE CIRCUITS		
Maximum OCPD rating amps	20	20
OCPD	Typical .75" wide dinrail breaker	Typical .75" wide dinrail breaker
Wire range AWG	6-16	4-16
PV OUTPUT CIRCUITS		
Maximum number of output circuits	1	1
Maximum continuous current amps	120	120
Wire range AWG	14-1/0	14-1/0
Approved mounting orientation	90 to 14 ⁰	90 to 14 ⁰
Enclosure type material	3R/Alum	3R/Alum
Chassis ground bus bar	#1 4-6 and #1 /0-1 4	#1 4-6 and #1 /0-1 4
Listing	UL1741	UL1741
Dimensions	7.89" X 3.37" X 14.20"	7.89" X 3.37" X 14.20"

www.midnitesolar.com

19115 - 62 Ave. NE., Arlington, WA. 360-403-7207