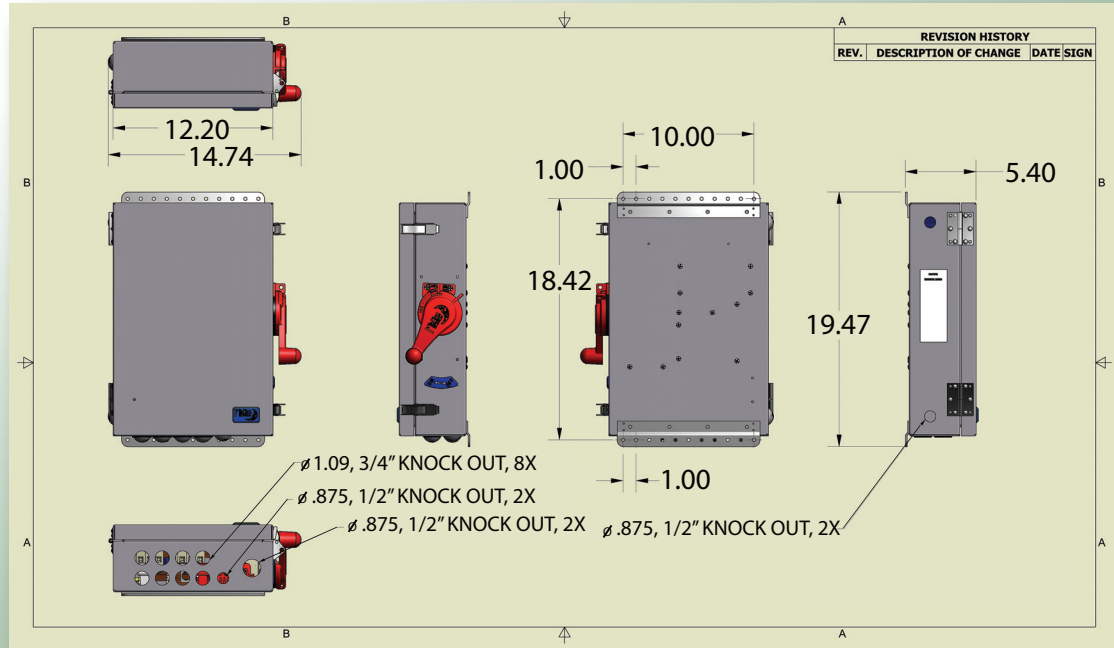


# MNPV8HV 4X Disconnecting Combiner



MidNite Solar offers a range of disconnecting PV Combiners from our MNPV4HV to the MNPV16HV This range of combiners accommodates PV systems as small as a four string off grid cabin up to 16 strings for a 50KW commercial grid tie inverter.



## MidNite Solar's PV8HV Nema 4X Disconnecting Combiner Specifications

### MNPV8HV Nema 4X 600V

Enclosure rating	Available in both NEMA 3R and 4X
Enclosure material	Powder coated aluminum with stainless hardware
Mounting options and angle	Vertical wall mount, pole mount or sloped roof NEMA 3R = mount to 14 degrees incline (3 in 12 roof pitch), NEMA 4X = Any angle
Number of PV strings	Eight strings
Maximum number of output circuits	Two
Wire range for string input	14 to 6 AWG (1.63mm to 4.11mm)
Maximum OCPD rating	30 amps (Comes with 15 amp fuses standard)
Output switch rating (Load break rated)	175 amps as a single 8 string 100 amps each for a 2 inverter configuration 100 amps for a transformerless inverter configuration
Output wire range	14 to 2/0 AWG (1.63mm to 9.27mm)
Lug temperature rating	90° C
Deadfront	Custom molded plastic deadfront
Lockable	Yes
Rating	UL1741
Surge protector included	Yes
Fuse & fuse holders included	Yes
Strain reliefs & hole plugs included	Yes
Birdhouse compatible with optional power supply board	Yes