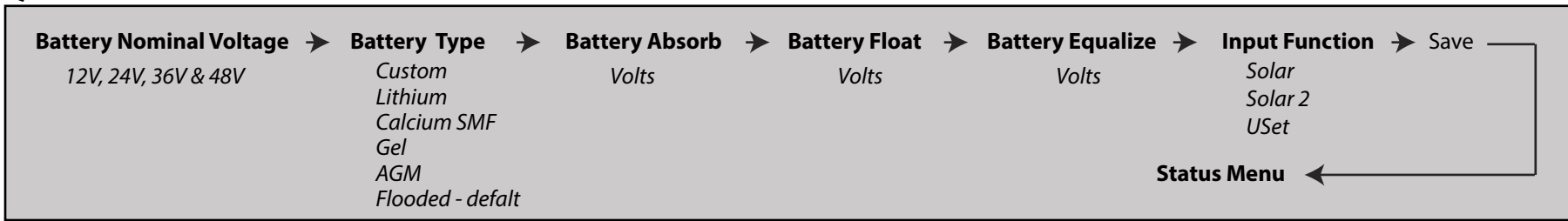
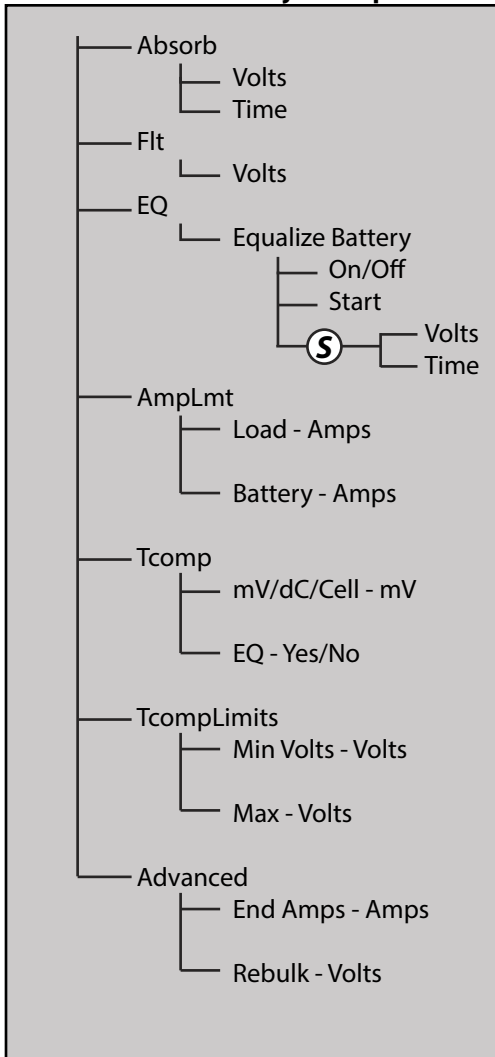


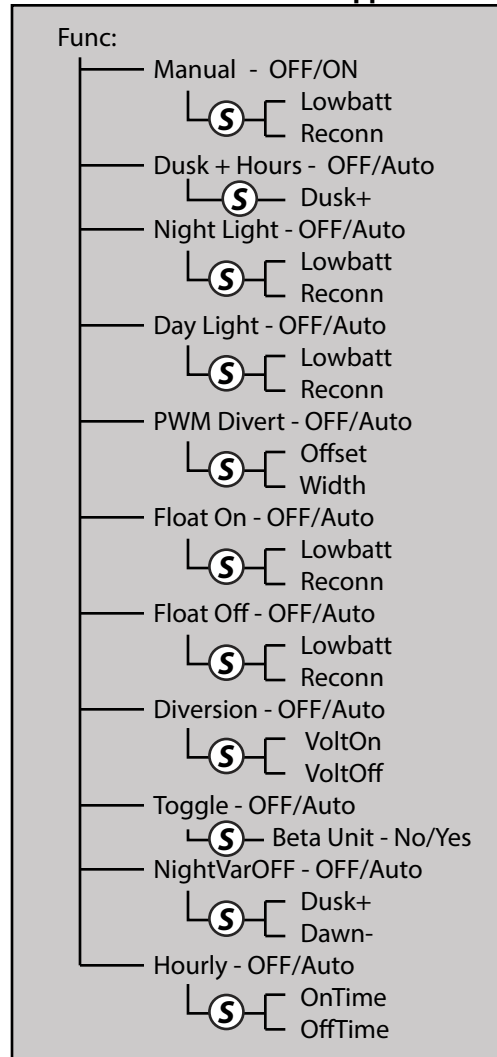
## QUICK START SETUP



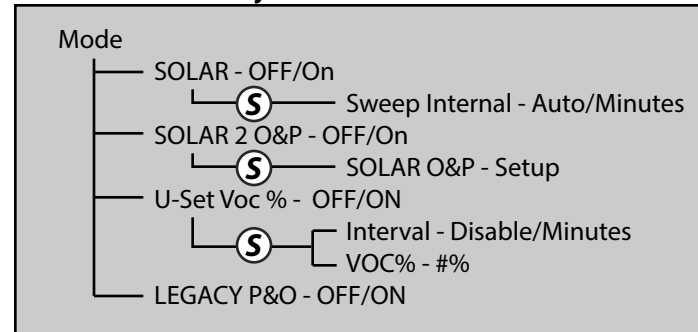
## BATTERY MENU - Adjust Setpoints



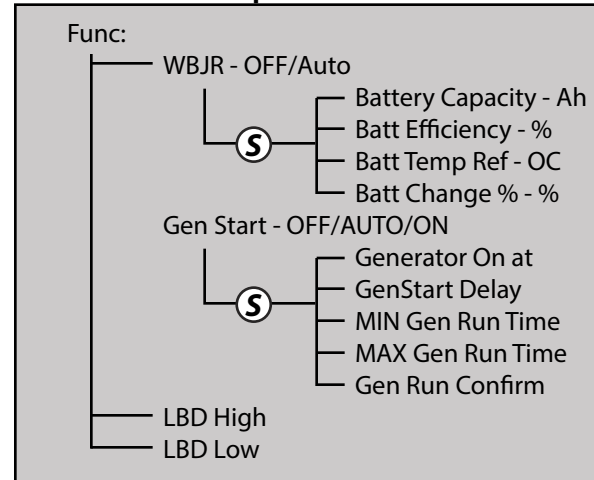
## LOAD MENU - Set Load/Clipper



## INPUT MENU - Adjust MPPT Mode



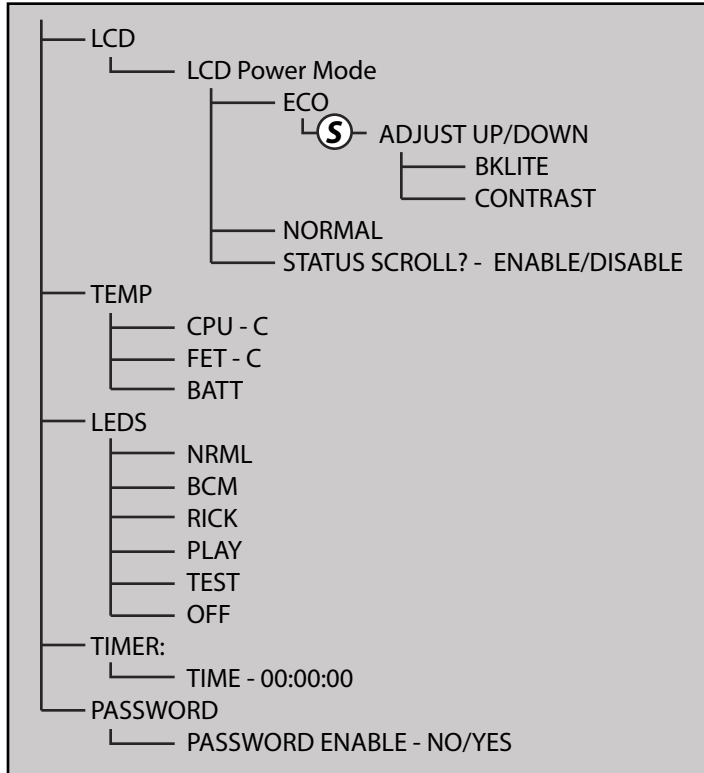
## AUX MENU - Setup Aux Func



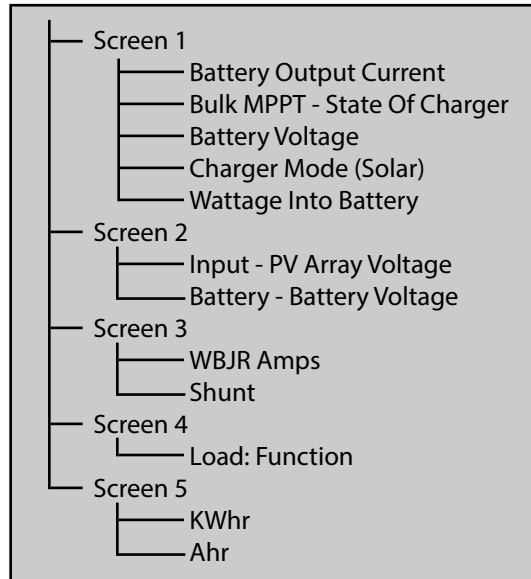
www.midnitesolar.com  
 17722 - 67th Ave NE, Arlington, WA 98223  
 PH 360-403-7207 FAX 360-691-6862

Ⓢ Symbolizes the SETUP button being pushed.

## MISC MENU - Other Stuff

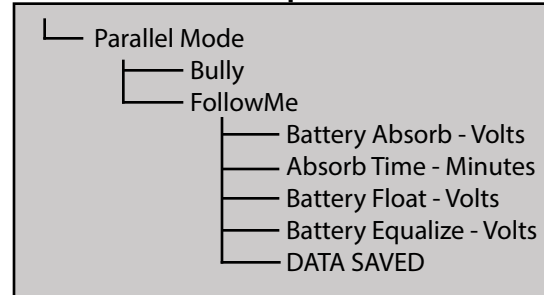


## STATUS MENU



Pushing the right/left arrow button will cycle through the Status Menu screens.

## COMM MENU - Multiple Units



### SETUP

Displays the adjustable parameters of the specific function selected.

### SAVE

Saves all the modified functions and parameters.

### ENTER

Enters the selected menu item.

### STATUS

Displays the current Status of the Kid. Press once to go back to the previous status screen, press twice to go to main status.

### MENU/BACK

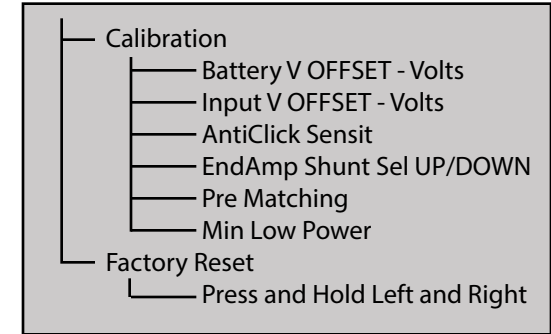
When pressed from Status Menu, it will go to Main Menu. If inside a menu it is used to go back one menu.

### UP, DOWN, LEFT & RIGHT ARROWS

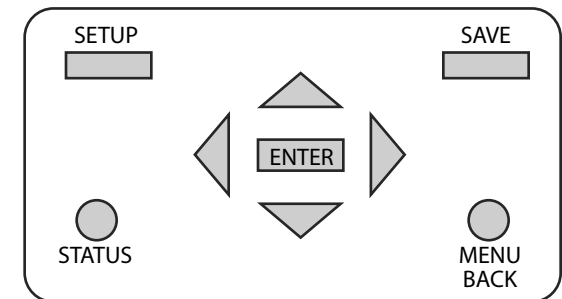
Used to navigate the menus, select and modify the functions.

**S** Symbolizes the SETUP button being pushed.

## TECH MENU - Advanced Menu



## KID NAVIGATION PANEL



[www.midnitesolar.com](http://www.midnitesolar.com)  
 17722 - 67th Ave NE, Arlington, WA 98223  
 PH 360-403-7207 FAX 360-691-6862

