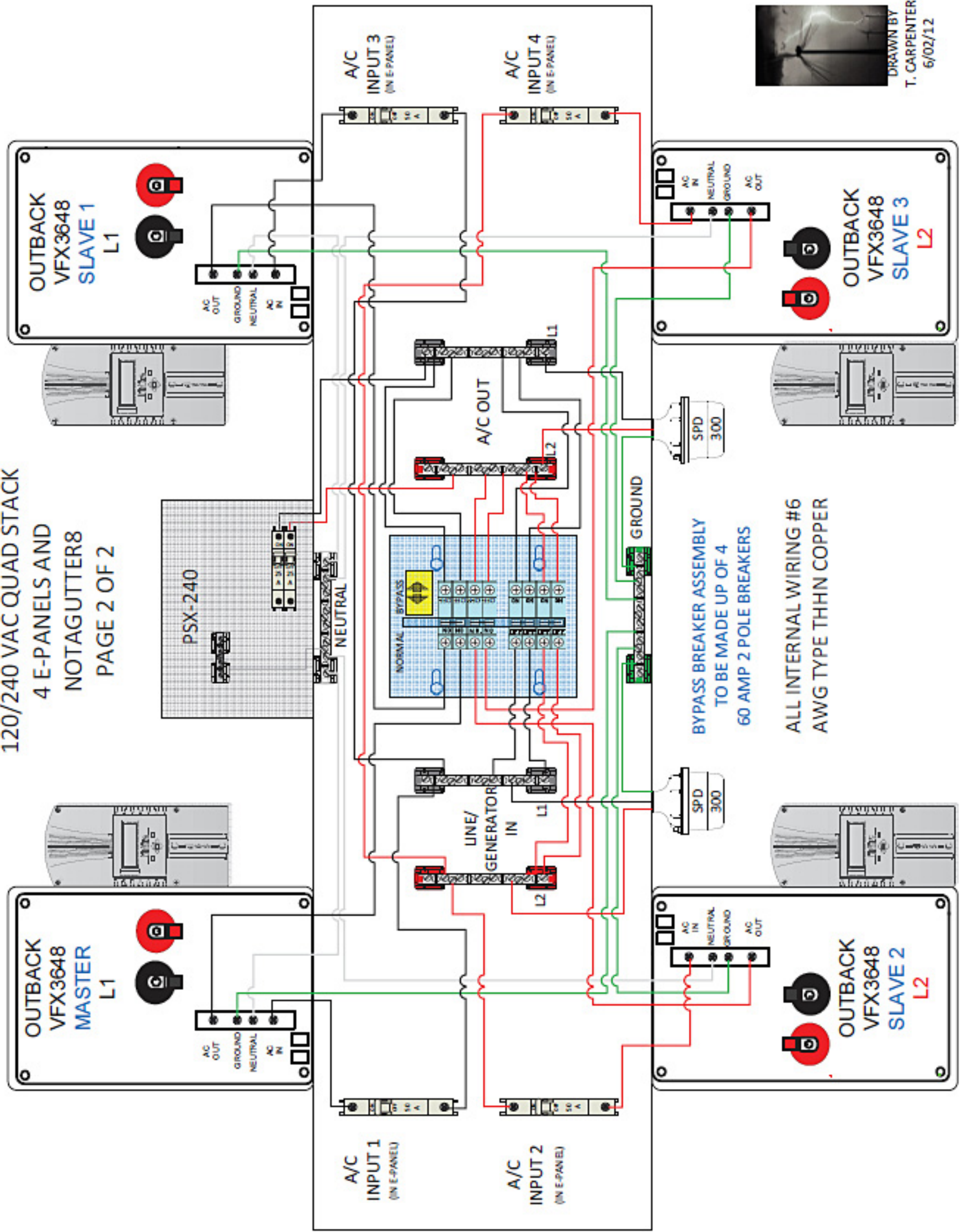


A/C WIRING FOR OUTBACK  
 120/240 VAC QUAD STACK  
 4 E-PANELS AND  
 NOTAGUTTER8  
 PAGE 2 OF 2



BYPASS BREAKER ASSEMBLY  
 TO BE MADE UP OF 4  
 60 AMP 2 POLE BREAKERS

ALL INTERNAL WIRING #6  
 AWG TYPE THHN COPPER

DRAWN BY  
 T. CARPENTER  
 6/02/12