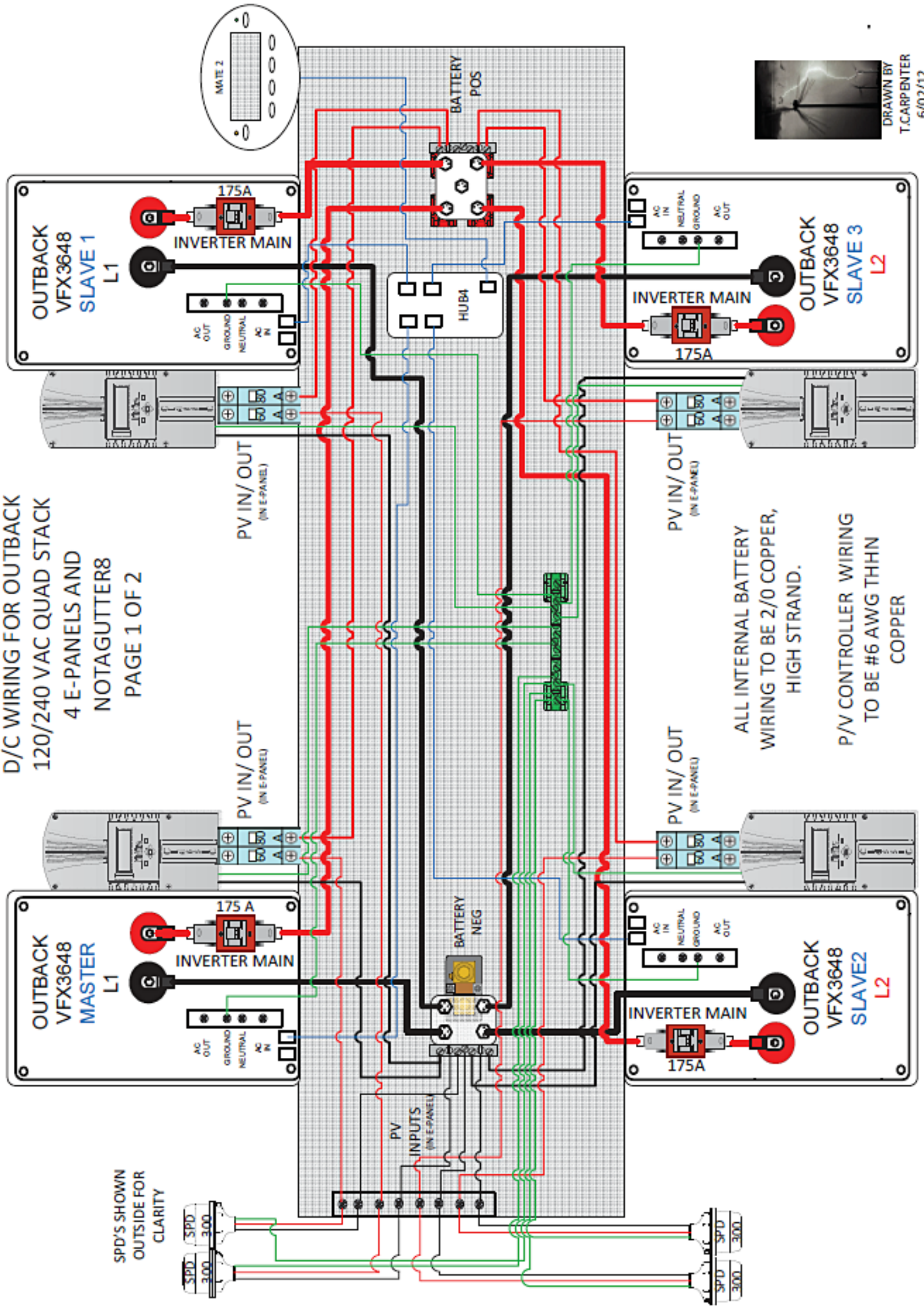


D/C WIRING FOR OUTBACK
120/240 VAC QUAD STACK
4 E-PANELS AND
NOTAGUTTER8
PAGE 1 OF 2



DRAWN BY
T.CARPENTER
6/02/12

SPD'S SHOWN
OUTSIDE FOR
CLARITY

ALL INTERNAL BATTERY
WIRING TO BE 2/0 COPPER,
HIGH STRAND.
P/V CONTROLLER WIRING
TO BE #6 AWG THHN
COPPER