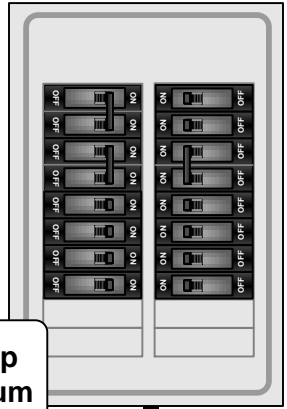
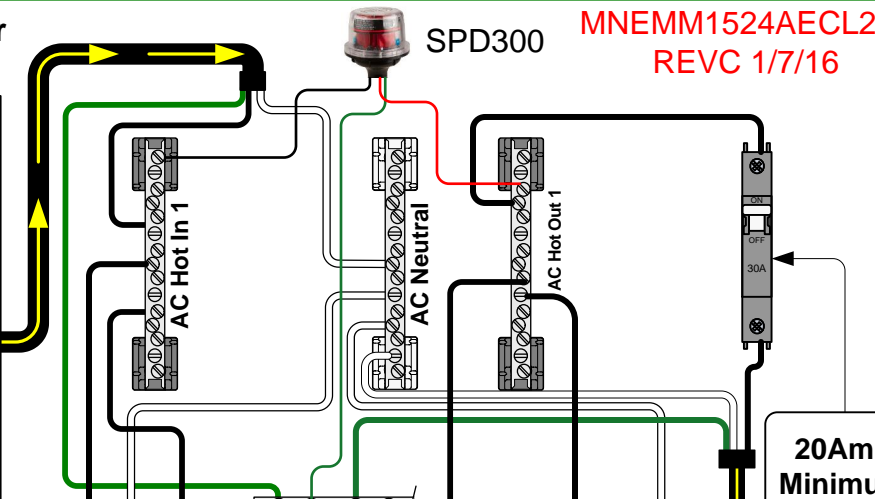
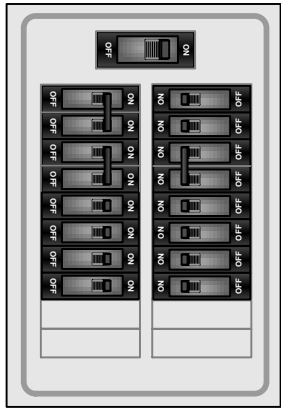


Utility or Generator
120VAC Output

MNEMM1524AECL250
REVC 1/7/16

120VAC
Load Panel



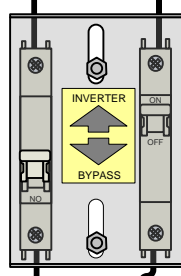
20Amp
Minimum
Customer
Installed
Breaker

From
E-Panel
(AC In)
to
Inverter
(AC In)

Inverter
AC Input
Disconnect
(15A)

AC Ground
20A AC
Bypass

From Inverter
(AC Out) to
E-Panel (AC Out)



From
E-Panel
(AC out)
to
Load
Center

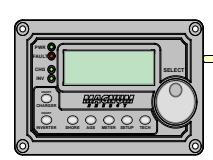
MAGNUM ENERGY
MM1524AE Series
Inverter/Charger
120VAC ONLY

Optional Breakers/Disconnects
(6 spaces max @ 13mm)

AC WIRING

DC WIRING

Remote Control MM-RC25



Battery
Temperature
Sensor

DC -
Buss

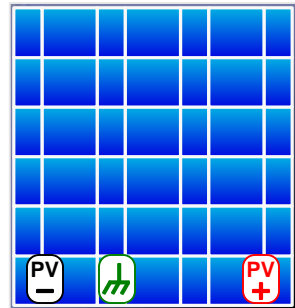
DC
Shunt

Main Battery
Shutoff 125A

DC +
Buss

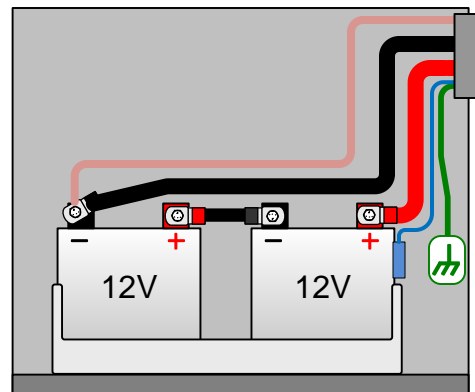
MIDNITE SOLAR
Classic 250
Controller

PV Panels



PV +
Buss

Battery Bank
(24VDC)



DC Ground

PV Output MNEC80

PV + Input
MNEC60-300



SPD300

Note AC and DC Grounds go to the Same
BusBar, Drawn Separate for clarity