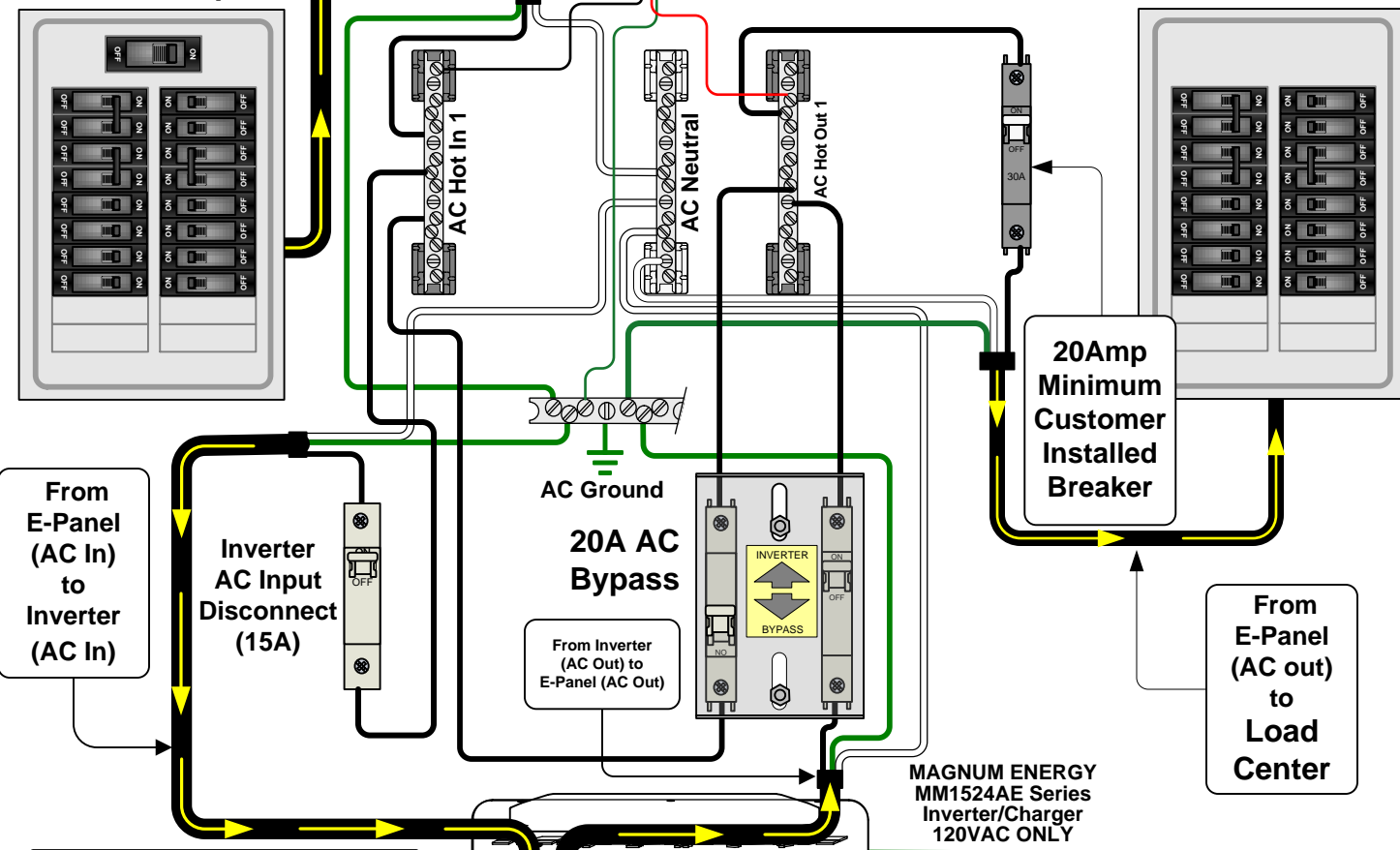


Utility or Generator
120VAC Output

MNEMM1524AECL150
REVC 1/7/16

120VAC
Load Panel



Optional Breakers/Disconnects
(6 spaces max @ 13mm)

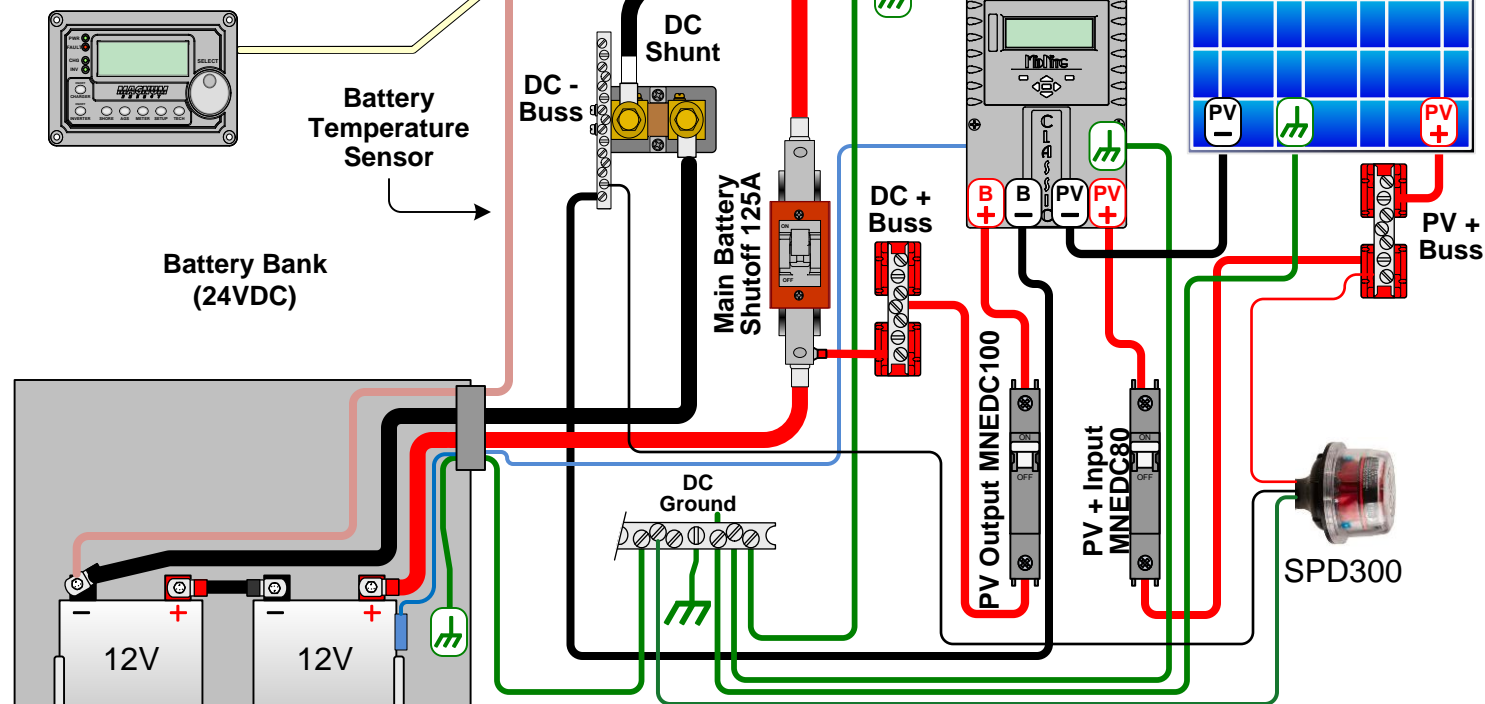
AC WIRING

DC WIRING

Remote Control MM-RC25

MIDNITE SOLAR
Classic 150
Controller

PV Panels



Note AC and DC Grounds go to the Same BusBar, Drawn Separate for clarity