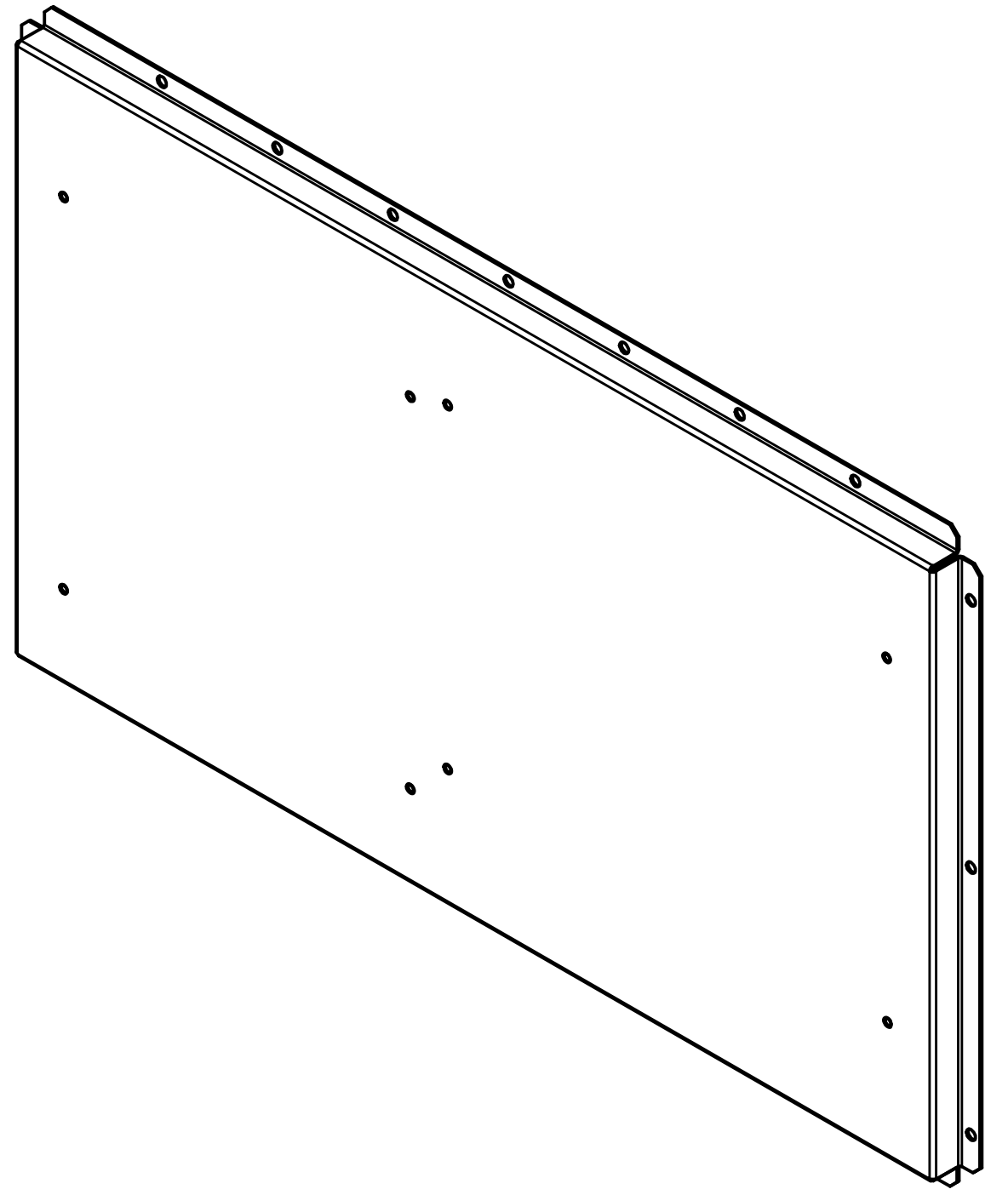
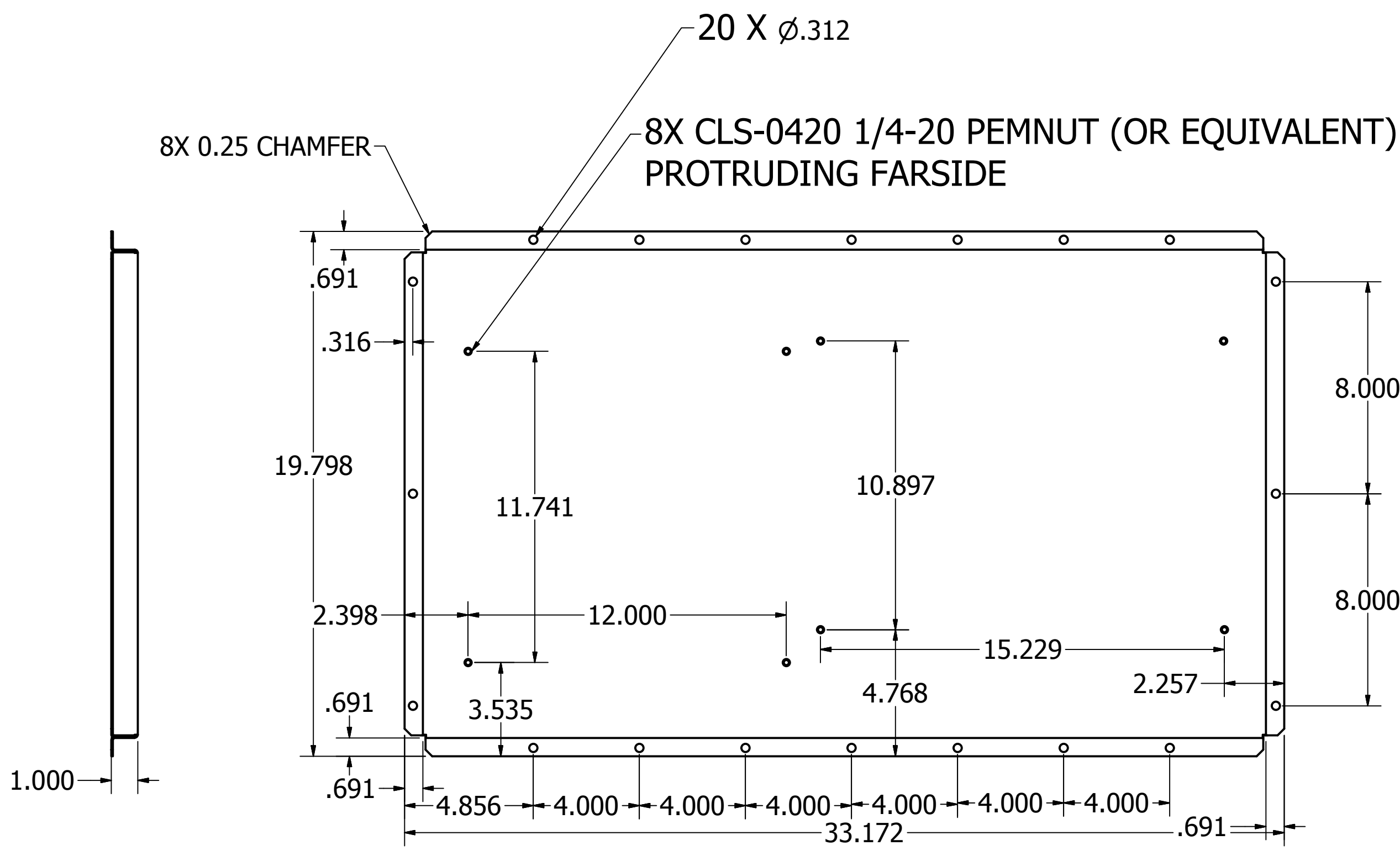
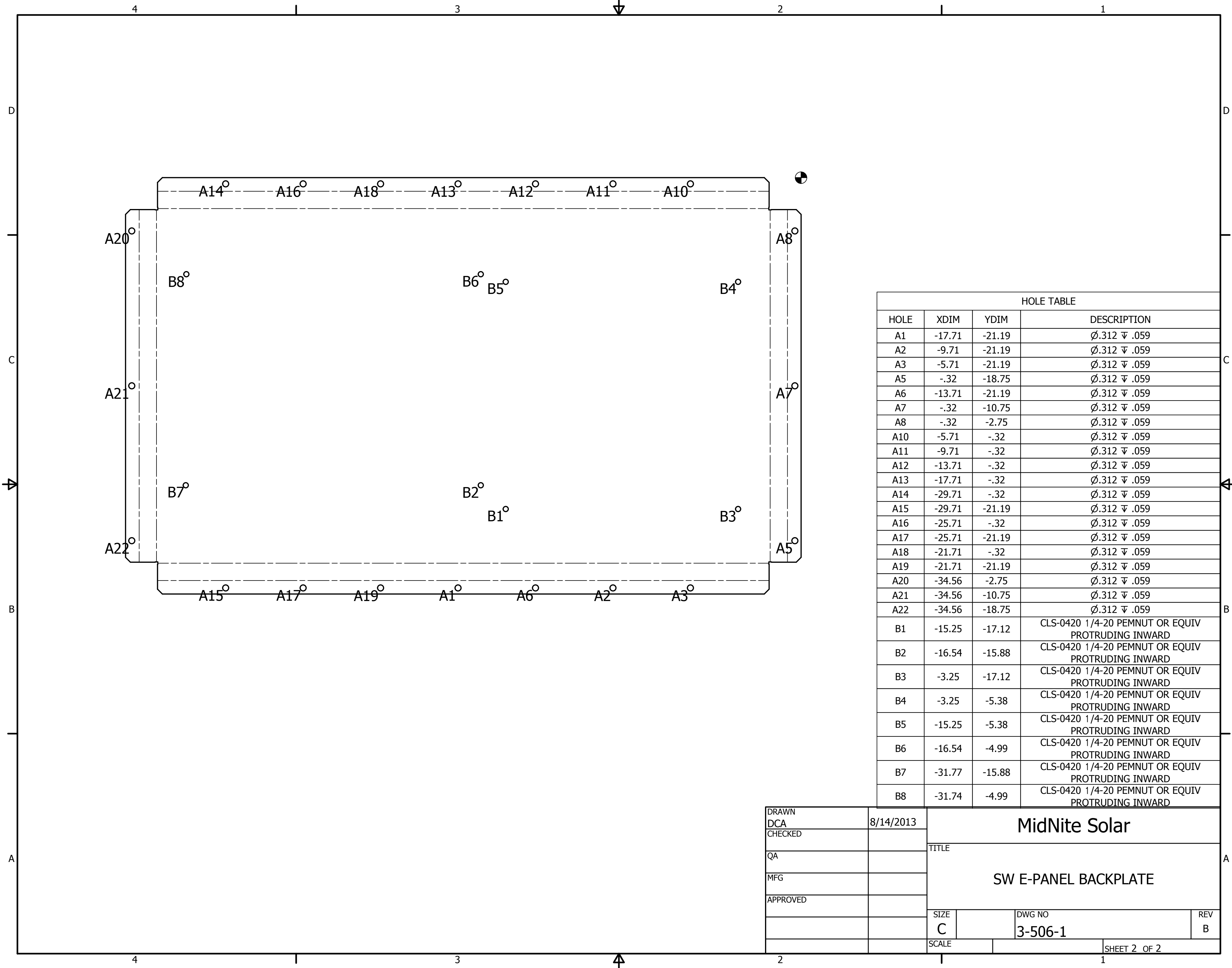


REV	DESCRIPTION OF CHANGE	DATE	APPD
B	UPDATE POWDERCOAT TO MATCH AVAILABLE	1/9/19	DCA



MATERIAL: 16 GA. C.R.S.  
 FINISH: Tiger Drylac 89/11020 RAL-9003 FINE TEXTURE.

DRAWN DCA	8/14/2013	MidNite Solar		
CHECKED		TITLE		
QA		SW E-PANEL BACKPLATE		
MFG		SIZE C	DWG NO 3-506-1	REV B
APPROVED		SCALE	SHEET 1 OF 2	



HOLE TABLE			
HOLE	XDIM	YDIM	DESCRIPTION
A1	-17.71	-21.19	Ø.312 ▾ .059
A2	-9.71	-21.19	Ø.312 ▾ .059
A3	-5.71	-21.19	Ø.312 ▾ .059
A5	-.32	-18.75	Ø.312 ▾ .059
A6	-13.71	-21.19	Ø.312 ▾ .059
A7	-.32	-10.75	Ø.312 ▾ .059
A8	-.32	-2.75	Ø.312 ▾ .059
A10	-5.71	-.32	Ø.312 ▾ .059
A11	-9.71	-.32	Ø.312 ▾ .059
A12	-13.71	-.32	Ø.312 ▾ .059
A13	-17.71	-.32	Ø.312 ▾ .059
A14	-29.71	-.32	Ø.312 ▾ .059
A15	-29.71	-21.19	Ø.312 ▾ .059
A16	-25.71	-.32	Ø.312 ▾ .059
A17	-25.71	-21.19	Ø.312 ▾ .059
A18	-21.71	-.32	Ø.312 ▾ .059
A19	-21.71	-21.19	Ø.312 ▾ .059
A20	-34.56	-2.75	Ø.312 ▾ .059
A21	-34.56	-10.75	Ø.312 ▾ .059
A22	-34.56	-18.75	Ø.312 ▾ .059
B1	-15.25	-17.12	CLS-0420 1/4-20 PEMNUT OR EQUIV PROTRUDING INWARD
B2	-16.54	-15.88	CLS-0420 1/4-20 PEMNUT OR EQUIV PROTRUDING INWARD
B3	-3.25	-17.12	CLS-0420 1/4-20 PEMNUT OR EQUIV PROTRUDING INWARD
B4	-3.25	-5.38	CLS-0420 1/4-20 PEMNUT OR EQUIV PROTRUDING INWARD
B5	-15.25	-5.38	CLS-0420 1/4-20 PEMNUT OR EQUIV PROTRUDING INWARD
B6	-16.54	-4.99	CLS-0420 1/4-20 PEMNUT OR EQUIV PROTRUDING INWARD
B7	-31.77	-15.88	CLS-0420 1/4-20 PEMNUT OR EQUIV PROTRUDING INWARD
B8	-31.74	-4.99	CLS-0420 1/4-20 PEMNUT OR EQUIV PROTRUDING INWARD

DRAWN DCA	8/14/2013	MidNite Solar	
CHECKED			
QA		TITLE	
MFG		SW E-PANEL BACKPLATE	
APPROVED		SIZE C	DWG NO 3-506-1
		SCALE	REV B
			SHEET 2 OF 2