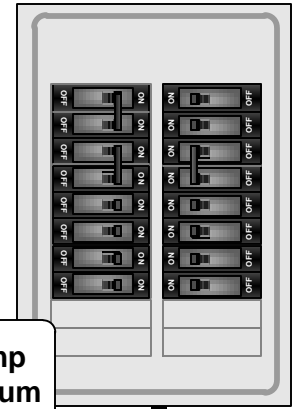
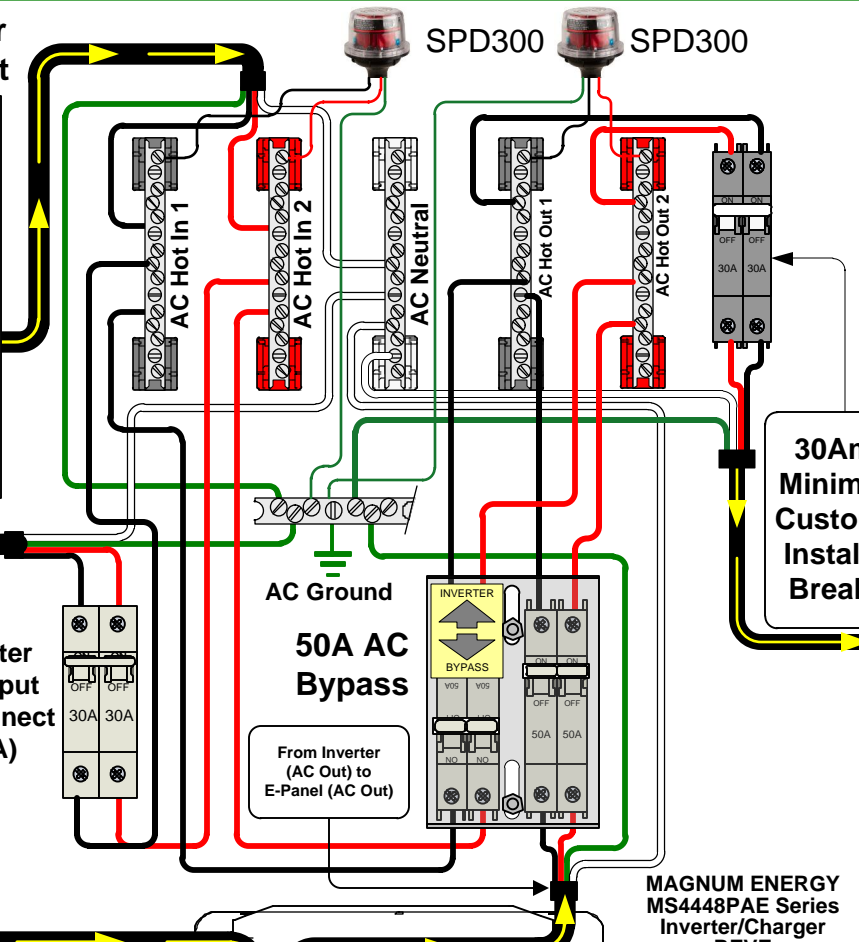
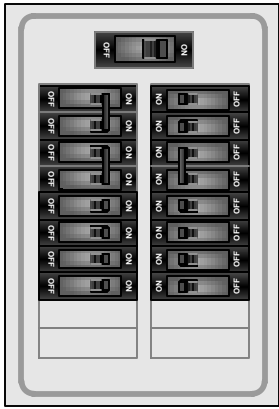


Utility or Generator
120/240VAC Output

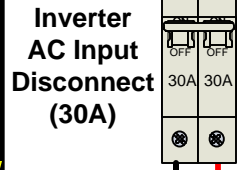
SPD300 SPD300

120/240VAC
Load Panel

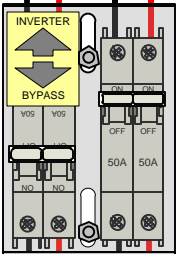


30Amp
Minimum
Customer
Installed
Breaker

From
E-Panel
(AC In)
to
Inverter
(AC In)



AC Ground
50A AC
Bypass



MAGNUM ENERGY
MS4448PAE Series
Inverter/Charger
REVE

From
E-Panel
(AC out)
to
Load
Center

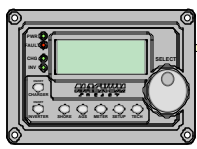
Optional Breakers/Disconnects
(6 spaces max @ 13mm)

AC WIRING

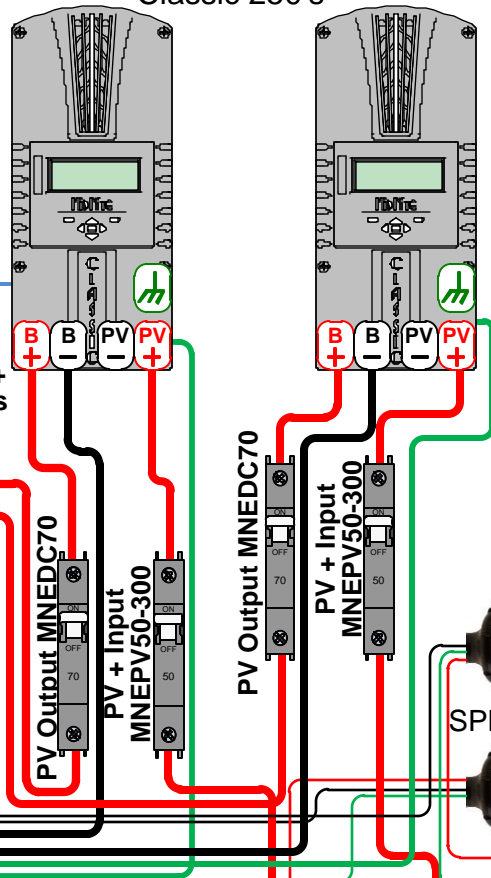
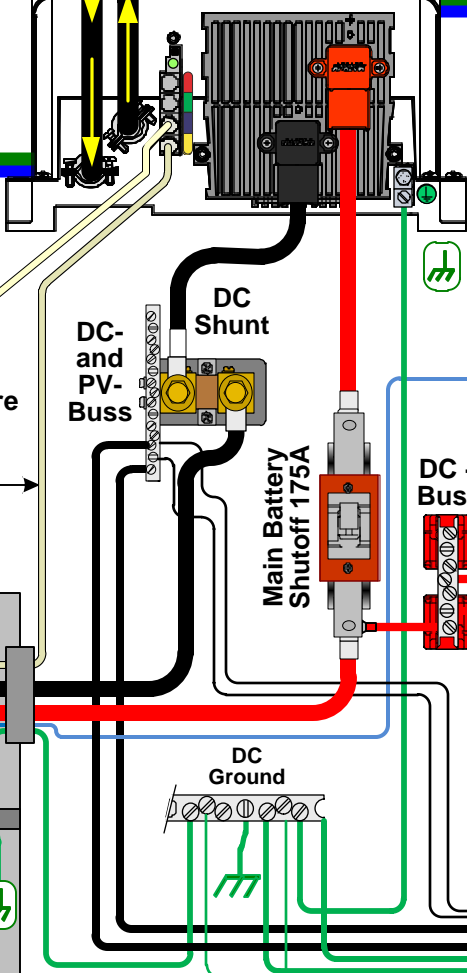
DC WIRING

Classic 250's

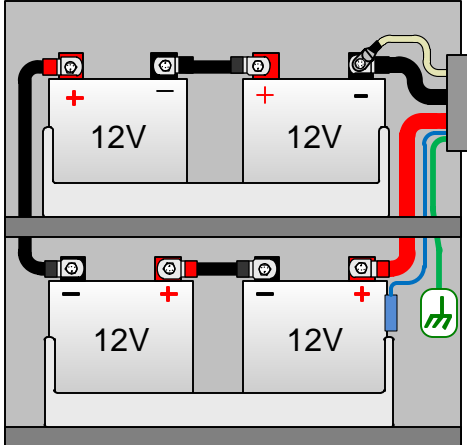
Remote Control RC-50,
ARC50 or Magnum Router



Battery
Temperature
Sensor



Battery Bank
(48VDC)



Note AC and DC Grounds go to the Same
BusBar, Drawn Separate for clarity



SPD-300
SPD-300