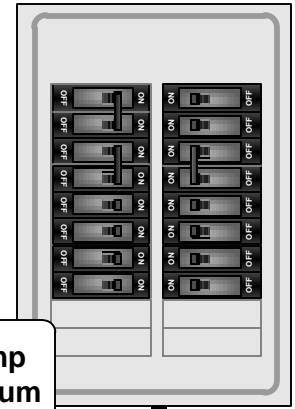
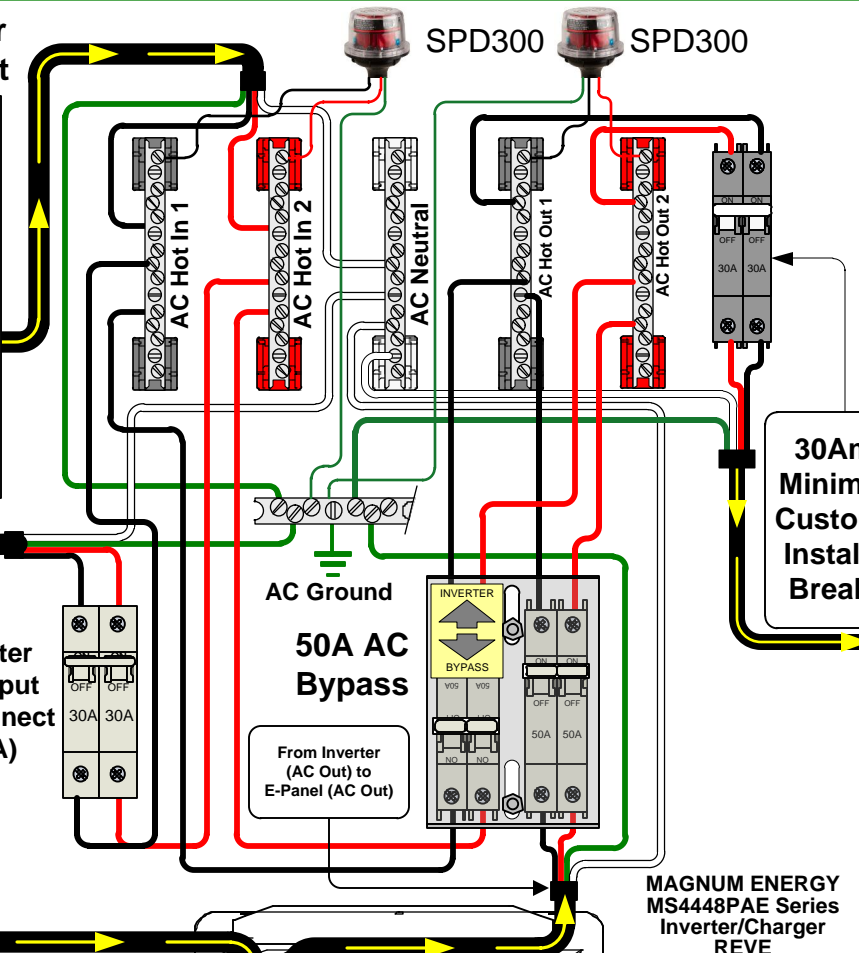
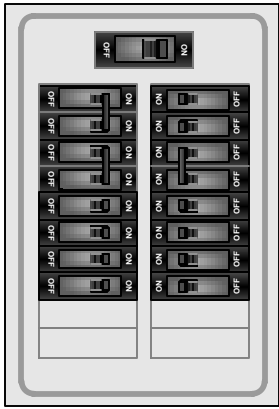


Utility or Generator
120/240VAC Output

SPD300 SPD300

120/240VAC
Load Panel



30Amp Minimum
Customer
Installed
Breaker

From
E-Panel
(AC In)
to
Inverter
(AC In)

Inverter
AC Input
Disconnect
(30A)

AC Ground
50A AC
Bypass

From Inverter
(AC Out) to
E-Panel (AC Out)

From
E-Panel
(AC out)
to
Load
Center

MAGNUM ENERGY
MS4448PAE Series
Inverter/Charger
REVE

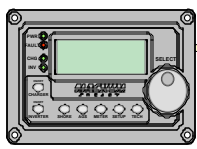
Optional Breakers/Disconnects
(6 spaces max @ 13mm)

AC WIRING

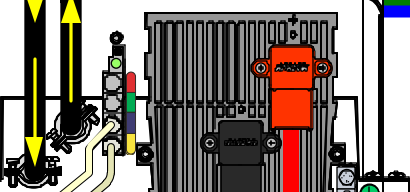
DC WIRING

Classic 200's

Remote Control RC-50,
ARC50 or Magnum Router



Battery
Temperature
Sensor



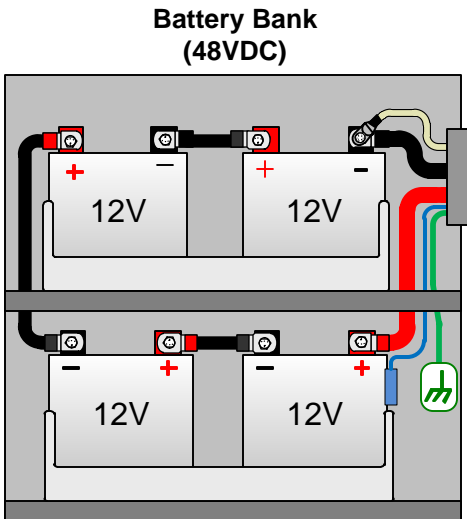
DC
Shunt

DC- and
PV-
Buss

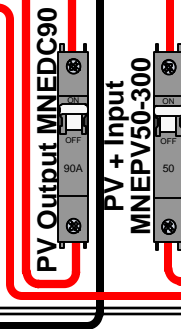
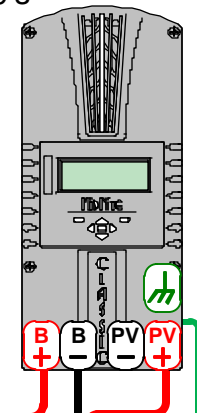
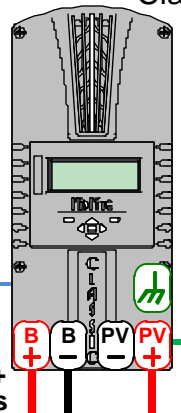
Main Battery
Shutoff 175A

DC +
Buss

DC
Ground



Battery Bank
(48VDC)



PV Output MNEDC90

PV + Input
MNEPV50-300

SPD-300

SPD-300

Note AC and DC Grounds go to the Same
BusBar, Drawn Separate for clarity

