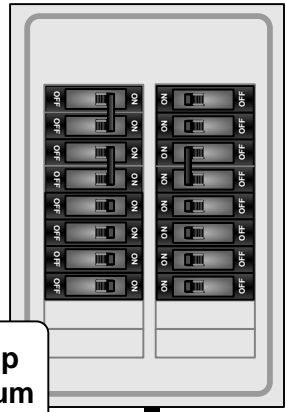
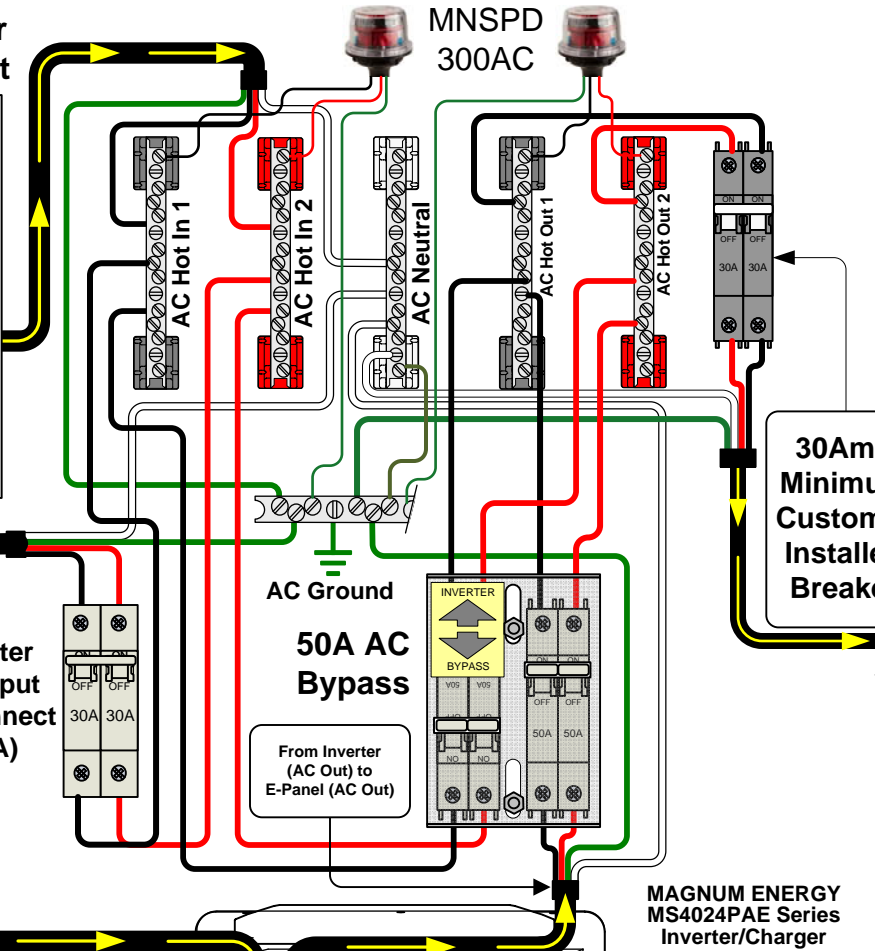
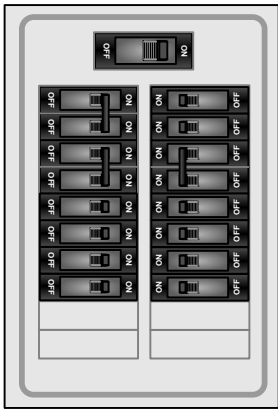


Utility or Generator
120/240VAC Output

MNSPD
300AC

120/240VAC
Load Panel



From E-Panel (AC In) to Inverter (AC In)

Inverter AC Input Disconnect (30A)

AC Ground
50A AC Bypass

From Inverter (AC Out) to E-Panel (AC Out)

30Amp Minimum Customer Installed Breaker

From E-Panel (AC out) to Load Center

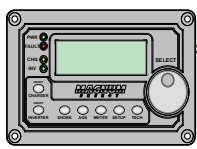
MAGNUM ENERGY MS4024PAE Series Inverter/Charger

Optional Breakers/Disconnects (6 spaces max @ 13mm)

AC WIRING

DC WIRING

Remote Control RC-50, ARC50 or Magnum Router



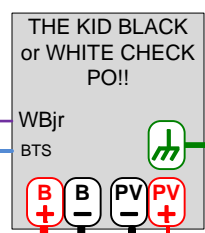
Battery Temperature Sensor

DC - Buss

DC Shunt

Main Battery Shutoff 250A

DC + Buss

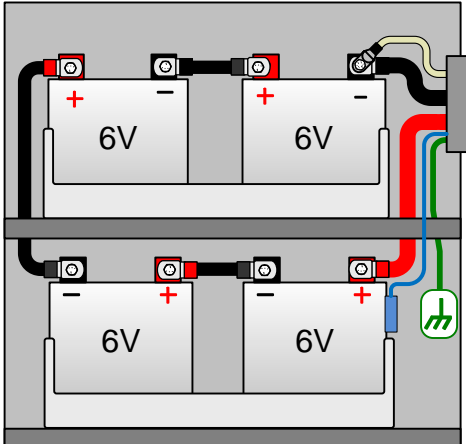


MNSPD
300DC

PV - Buss

PV + Buss

Battery Bank (24VDC)



DC Ground

MNEPV30 Bat Breaker

MNEPV30 PV IN

MNDC-GFP63

Note AC and DC Grounds go to the Same BusBar, Drawn Separate for clarity