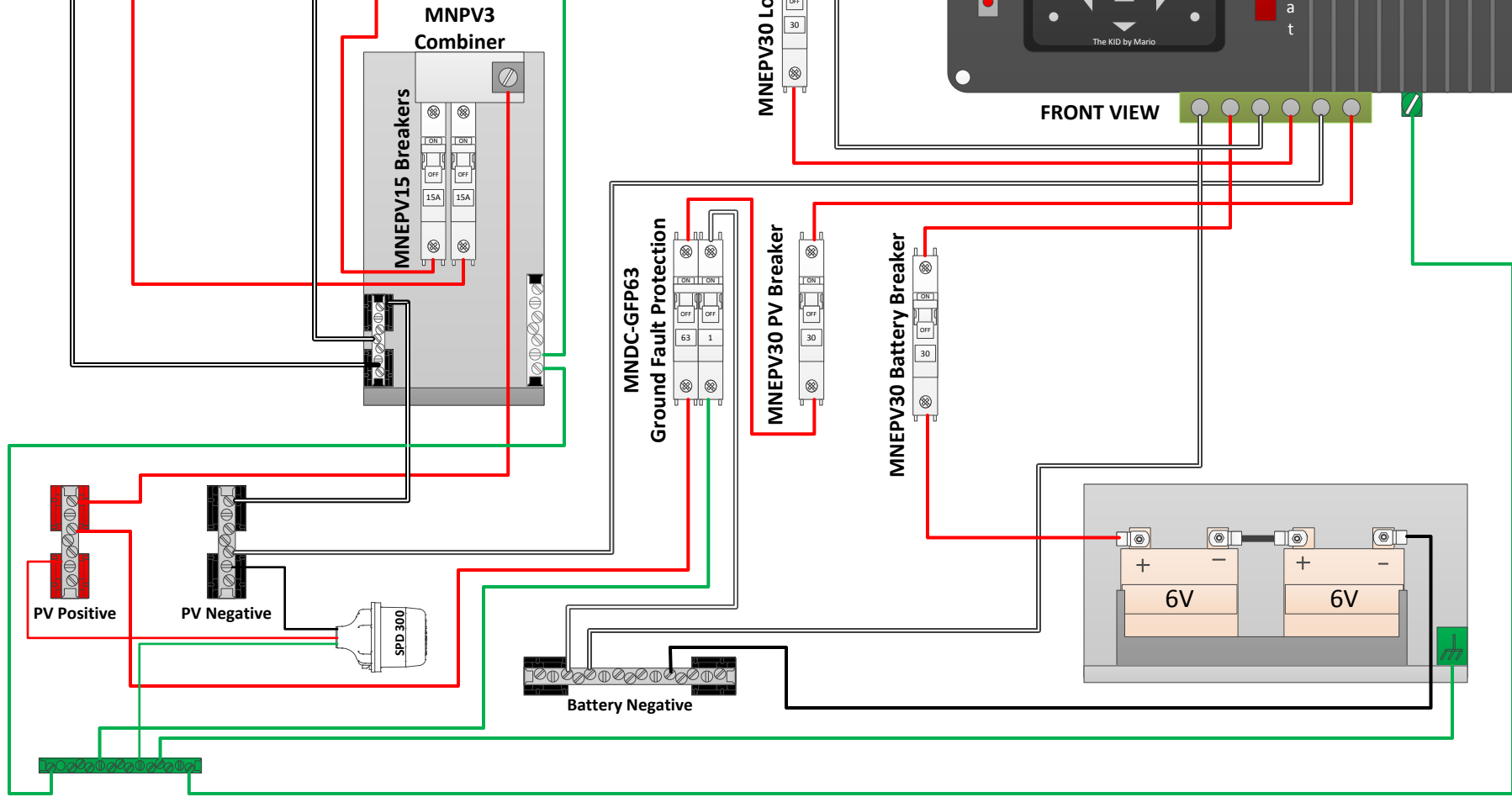


Typical 230-250  
watt  
Panel. Open  
Circuit Voltage  
(VOC) around 37  
volts

Typical 230-250  
watt  
Panel. Open  
Circuit Voltage  
(VOC) around 37  
volts



12 volt 30 amp MAX  
DC load



# 12 volt battery 2 Solar panels in Parallel



FRONT VIEW