

REVISIONS		
REV	DESCRIPTION	DATE

MATERIAL

FINISH

DRAWING INTERPRETATIONS	
PROJECTIONS 	DIMENSIONS INCHES MILLIMETERS

UNSPECIFIED TOLERANCES
DECIMALS ±.020 (±.510 mm); ANGULAR ±1°

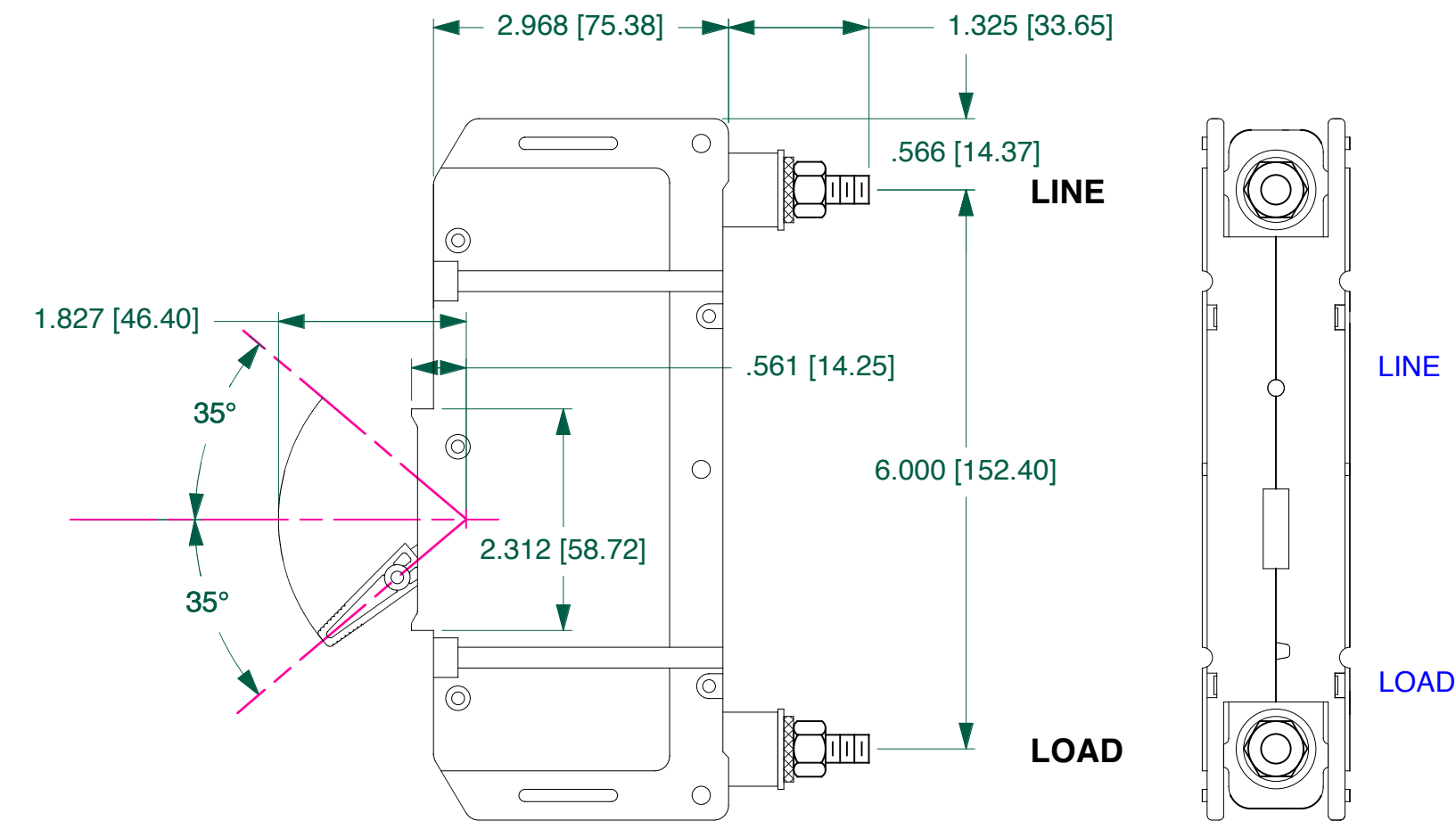
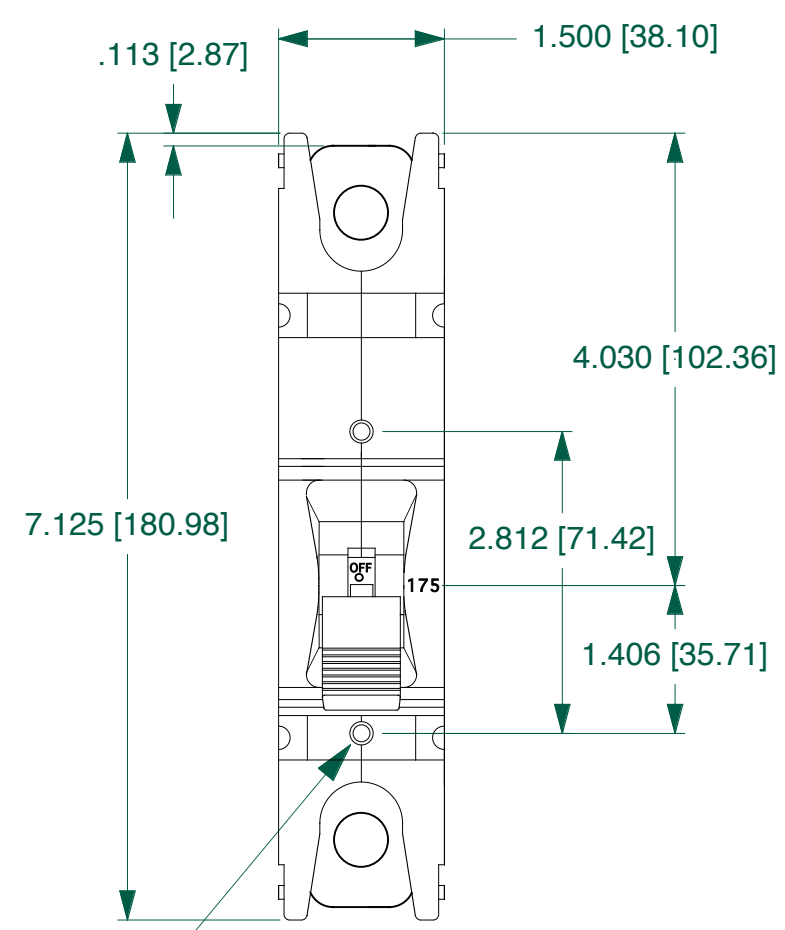
DRAWN BY: MM 9-18-12	CHECKED BY:	SCALE
APPROVED BY:	DATE APPROVED	

DO NOT SCALE DRAWING

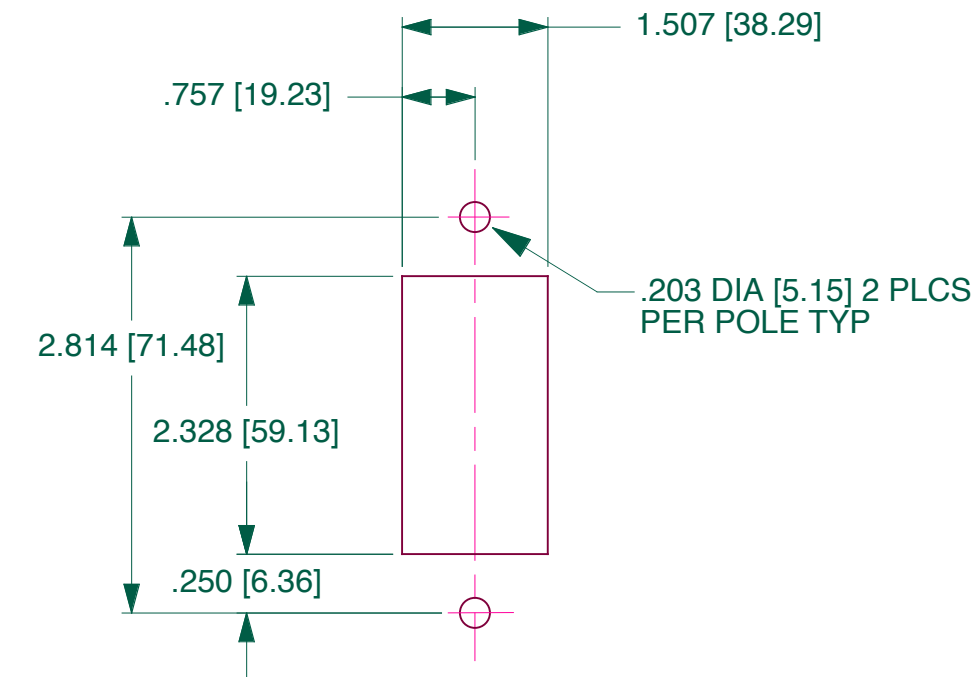
TITLE
"F" SERIES
CIRCUIT BREAKER

CARLINGSWITCH, INC.
CIRCUIT BREAKER DIVISION
PLAINVILLE, CT

SIZE B	DRAWING NO. FA1-B0-14-917-12A-BG	REV
SHEET OF		SHEET 1 OF 1



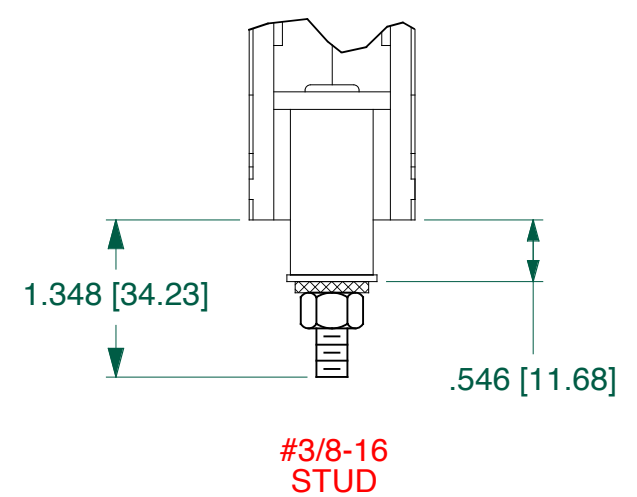
10-32 THREAD X .300 [7.60] DEEP
(2 PLCS) / POLE



PANEL CUTOUT DETAIL

LABEL INFORMATION:

FL. AMPS 175
MAX VOLTS 125
HERTZ DC
DELAY 14 (MED)
CIRCUIT: B0 (SERIES)
TRIP AMPS 218.75
SPECIAL PURPOSE NOT FOR GENERAL USE



CONTROL SYMBOLS	
	CRITICAL
	MAJOR

TOOL NO.	REV
REFERENCE NO.	
SHEET OF	