

# MNSHUNT-1000

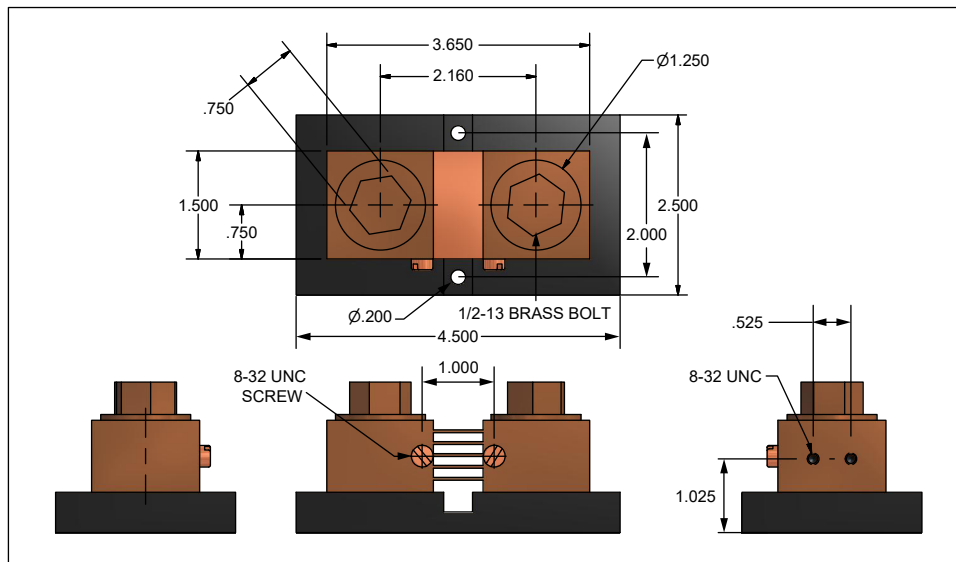


**The High-Current DC Shunts from MidNite Solar are essential for safely and accurately measuring high currents in various applications, from industrial equipment to renewable energy systems.**

## PRODUCT FEATURES

- Current Rating: 1000 amps
- 50mV or 100mV output
- Copper terminal block and brass hardware for proper heat dissipation
- Built to A-A-55524 Requirements
- Resistance blades made from Manganin metal to provide low temperature co-efficient, long term stability and strength
- High strength phenolic base for ease of install/use

## PRODUCT DIMENSIONS

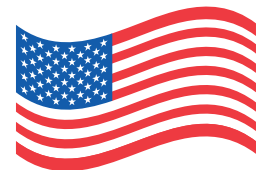


## PRODUCT SPECIFICATIONS

Model	MNSHUNT-1000/50	MNSHUNT-1000/100
Rated Output	50mV	100mV
Resistance at Rated Current	0.0500mΩ	0.1000mΩ
Rated Current	1000A	
Continuous Operating Current	666A	
Voltage Tolerance	±0.25%	
Operating Temperature	-40°C to 60°C*	
Storage Temperature	-55°C to 80°C	
Weight	0.9Kg (32 oz)	

\* At ambient temperatures above 40°C, the current must be derated.

**Made in the USA**



www.midnitesolar.com  
19115 62nd Ave NE  
Arlington, WA