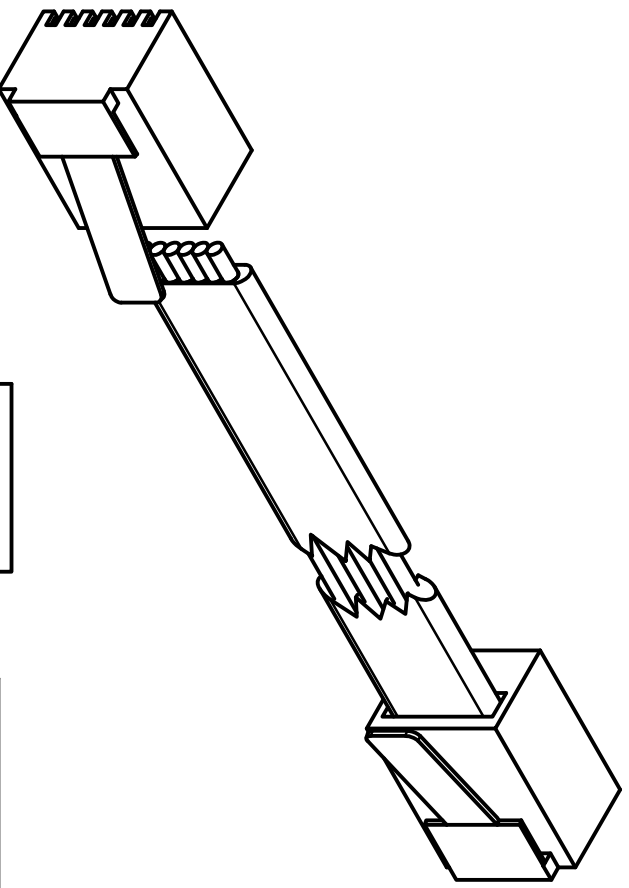
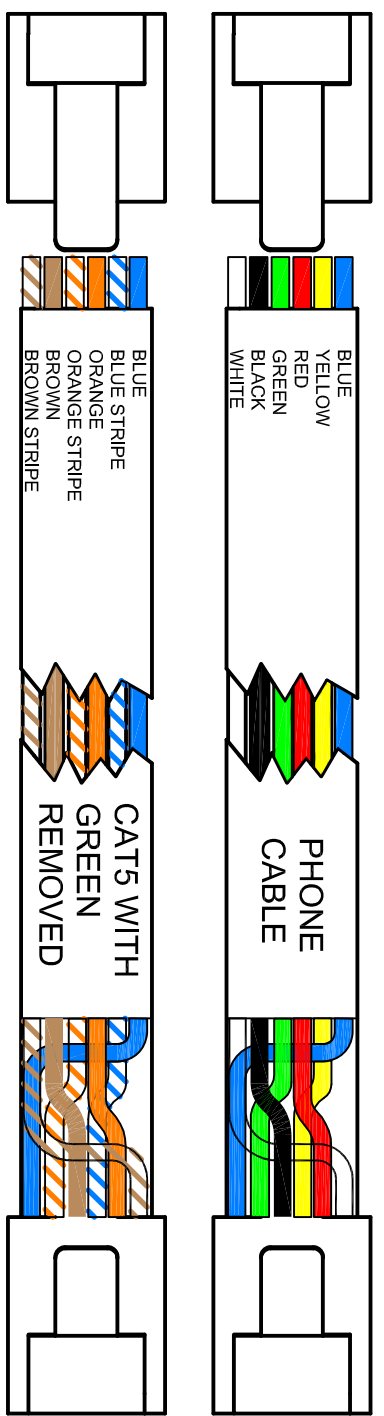


REV	DESCRIPTION	DATE	APPROVED



**Flat phone cable shown
DO NOT USE FLAT CABLE!
USE ROUND PHONE CABLE
OR CAT5**



1. Cable 5-030-40 is 72" end to end plus or minus 1/2"
2. 6 conductor round phone cable 26AWG
3. Connectors are RJ11 with 50 micro inches of gold plating on contacts
4. Cable length is intended to stack two 120VAC Magnum inverters on two E-Panels side by side.



14000 BURN RD
ARLINGTON, WA
98223 USA

DRAWN BY ROBIN GUDGEL

9-3-08

5-030-40 stacking cable assy.dwg

1 of 1

Stacking Cable, Magnum