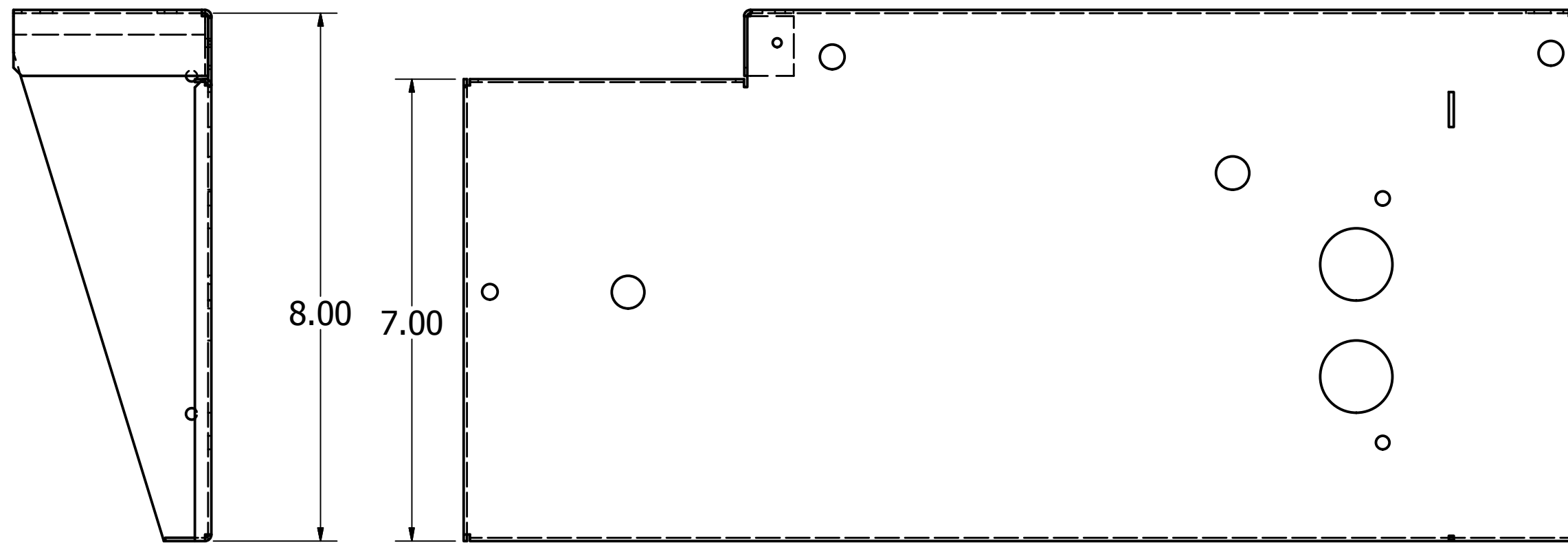
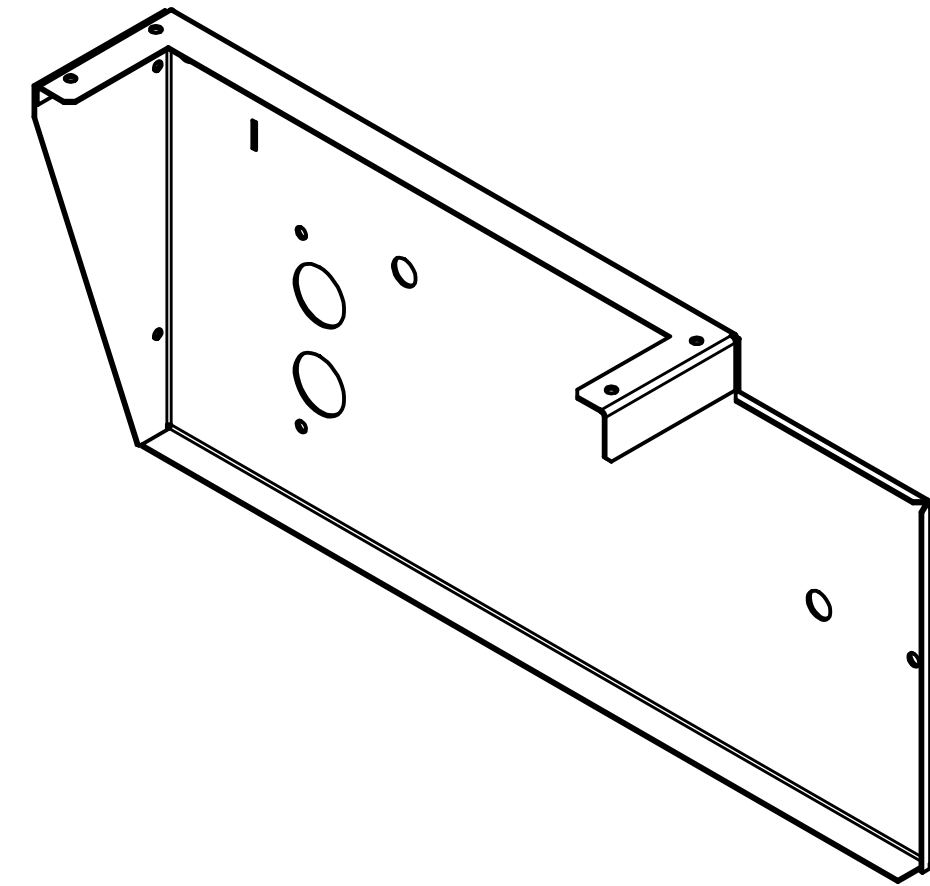
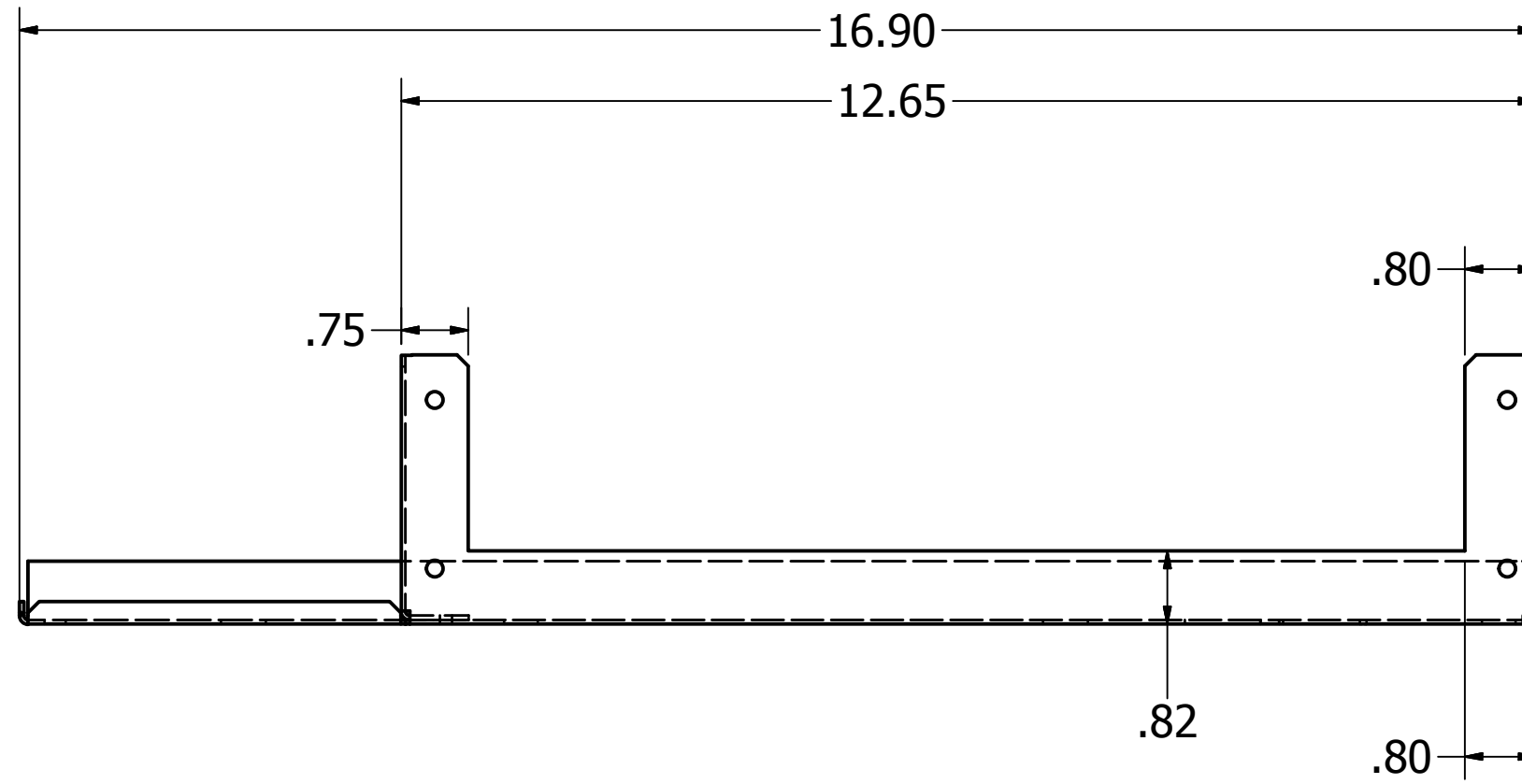
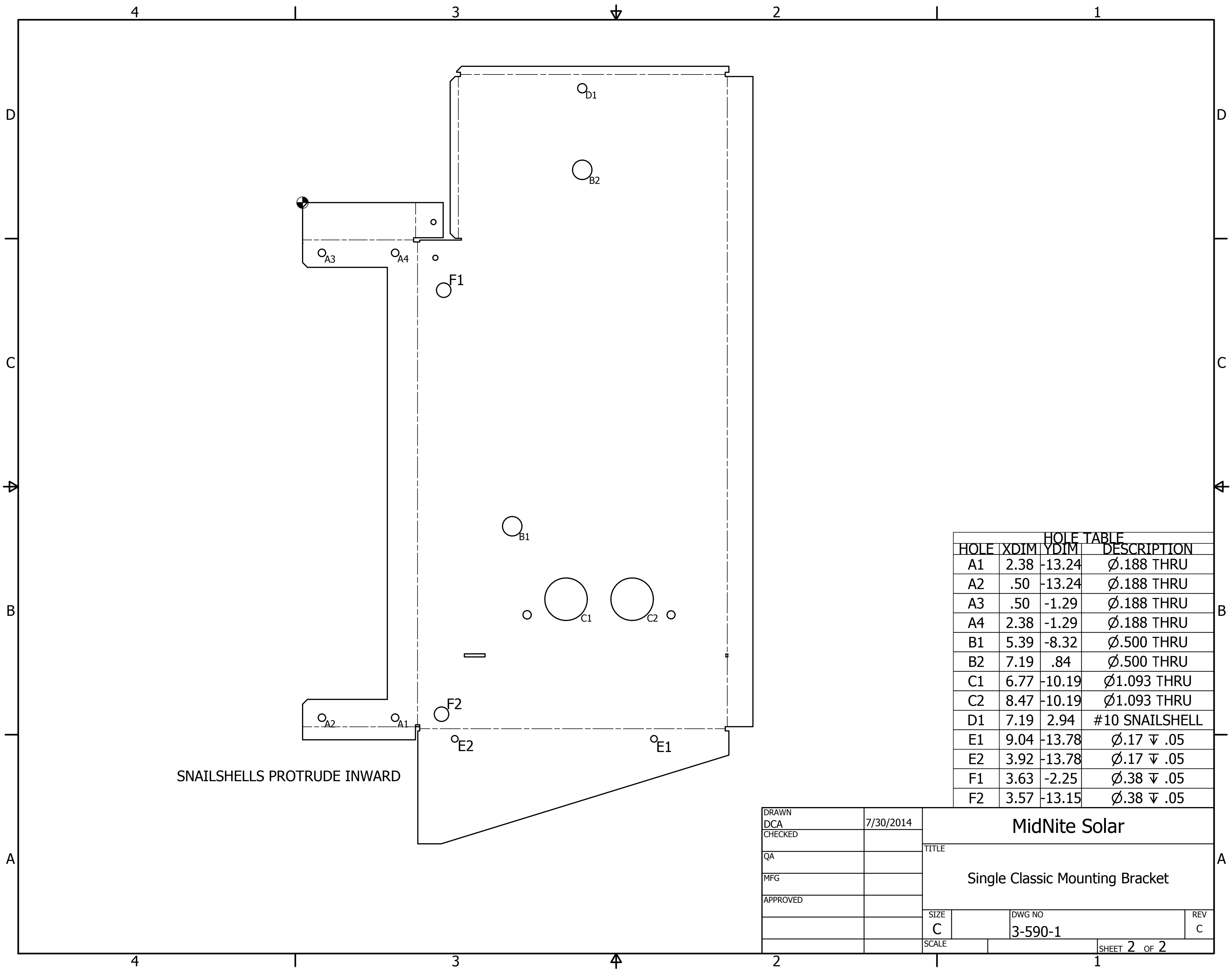


REV	DESCRIPTION OF CHANGE	DATE	APPD
-	NEW PART	8-4-14	DCA
A	REMOVE WALL MOUNT FLANGE	11-6-14	DCA
B	REDUCE WIDTH- MOVE HOLE PATTERN	2-5-15	DCA
C	STRETCH FOR WIRING TROUGH	10-31-15	DCA



MATERIAL: 18 GA C.R.S.
FINISH: POWDERCOAT BK59 BLACK

DRAWN DCA	7/30/2014	MidNite Solar		
CHECKED		TITLE		
QA		Single Classic Mounting Bracket		
MFG		SIZE	DWG NO	REV
APPROVED		C	3-590-1	C
		SCALE	SHEET 1 OF 2	



SNAILSHELLS PROTRUDE INWARD

HOLE TABLE			
HOLE	XDIM	YDIM	DESCRIPTION
A1	2.38	-13.24	Ø.188 THRU
A2	.50	-13.24	Ø.188 THRU
A3	.50	-1.29	Ø.188 THRU
A4	2.38	-1.29	Ø.188 THRU
B1	5.39	-8.32	Ø.500 THRU
B2	7.19	.84	Ø.500 THRU
C1	6.77	-10.19	Ø1.093 THRU
C2	8.47	-10.19	Ø1.093 THRU
D1	7.19	2.94	#10 SNAILSHELL
E1	9.04	-13.78	Ø.17 ∇ .05
E2	3.92	-13.78	Ø.17 ∇ .05
F1	3.63	-2.25	Ø.38 ∇ .05
F2	3.57	-13.15	Ø.38 ∇ .05

DRAWN	7/30/2014
DCA	
CHECKED	
QA	
MFG	
APPROVED	

MidNite Solar		
TITLE		
Single Classic Mounting Bracket		
SIZE	DWG NO	REV
C	3-590-1	C
SCALE	SHEET 2 OF 2	