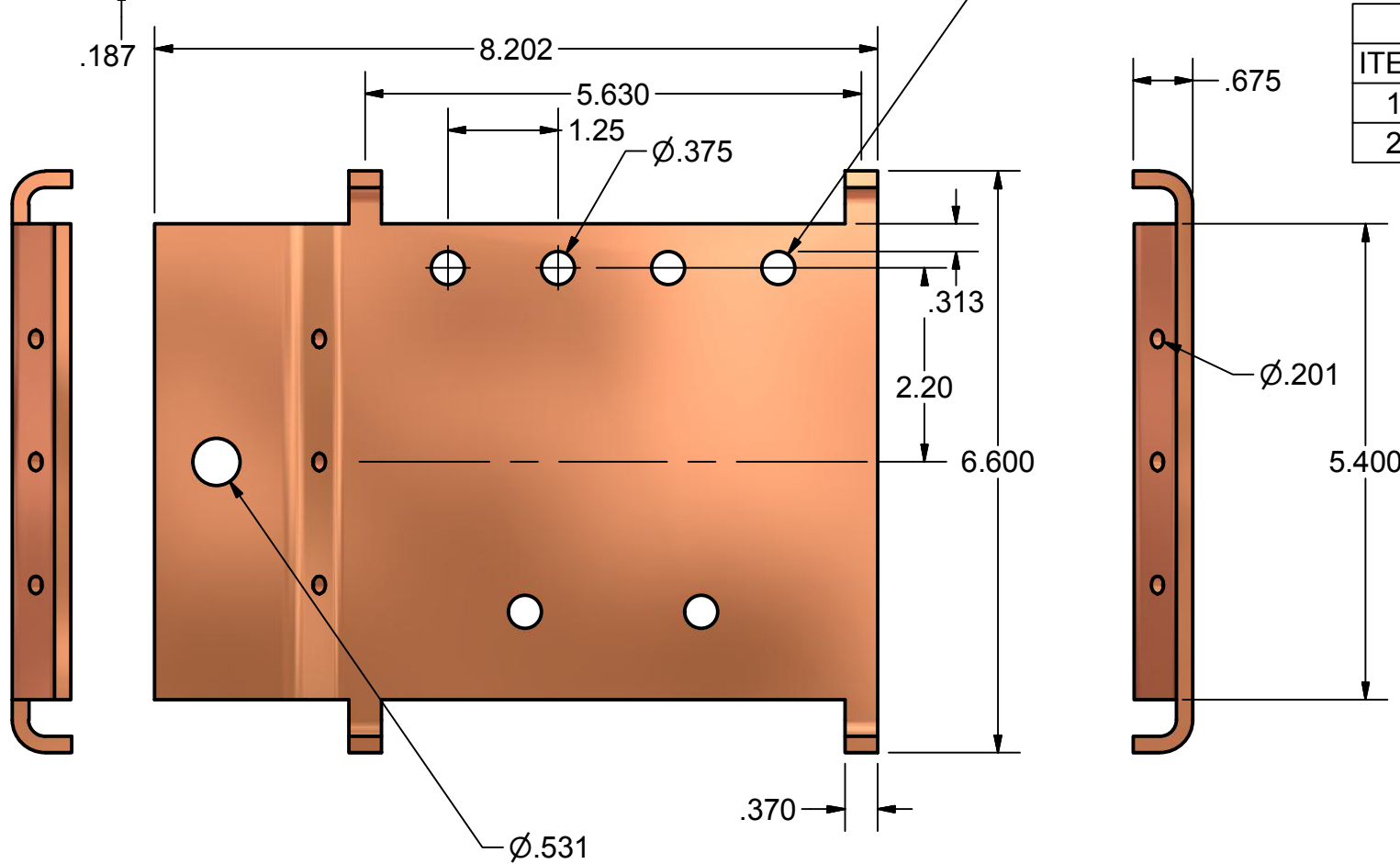
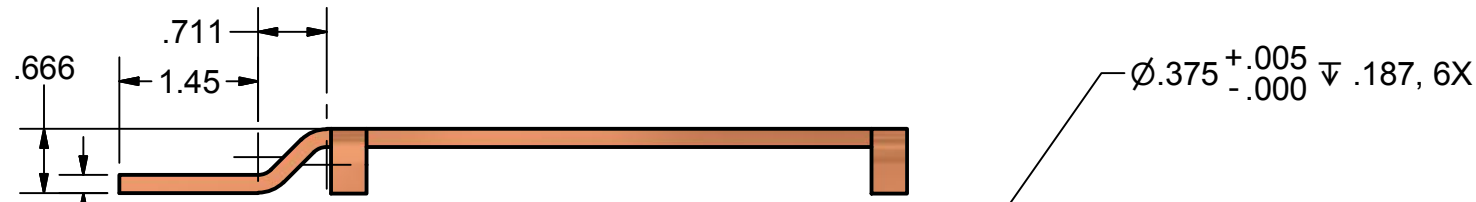
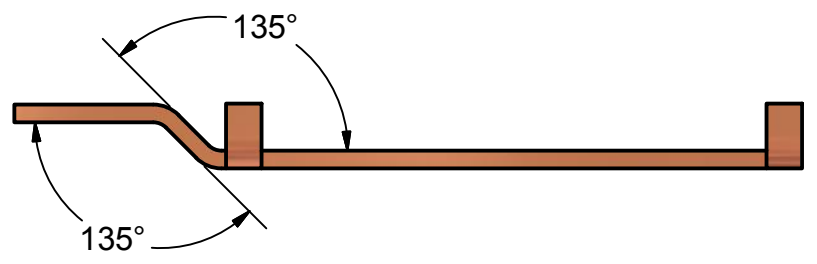
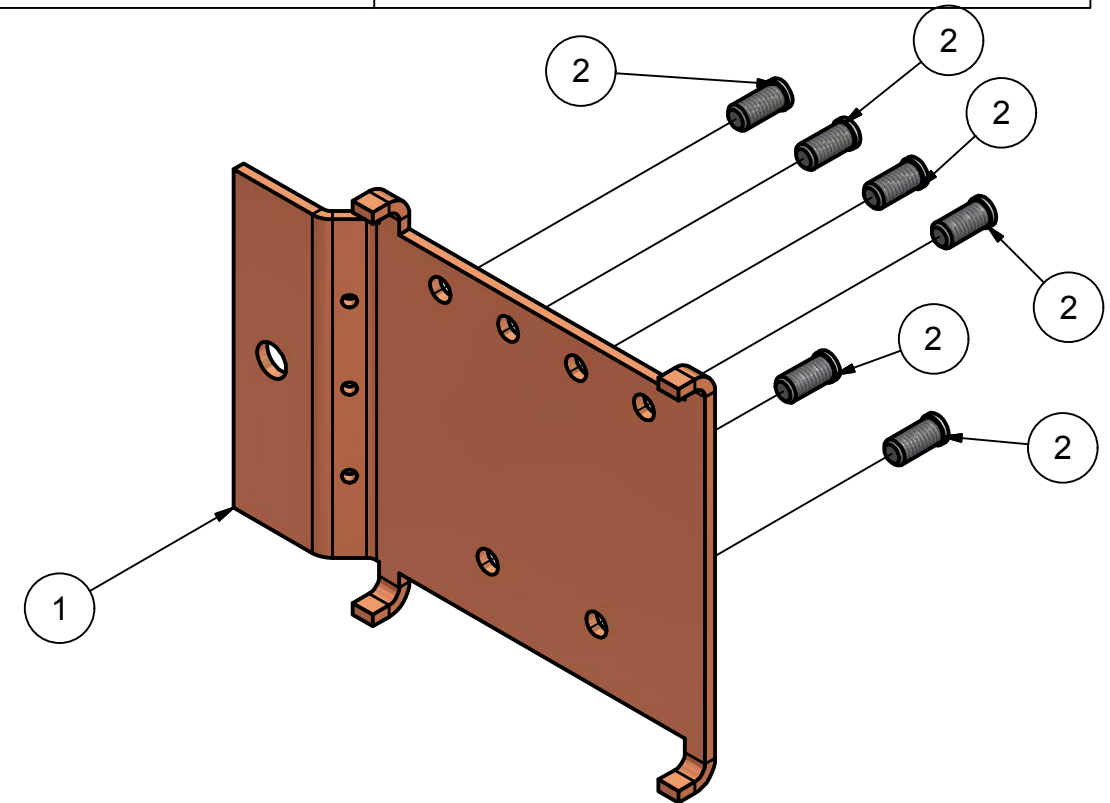


- NOTES
1. MATERIAL: 110 COPPER ALLOY, 1/8-1/2 HAVE HARD
 2. FINISH: BRIGHT TIN PLATE
 3. PROCESS: SHEET METAL FABRIATION AND BRIGHT TIN PLATE
 4. CURRENT: .187"X 5.4"=1.010", EQUATES TO 1010 AMPS.


REVISION HISTORY			
REV.	DESCRIPTION OF CHANGE	DATE	SIGN
A	DESIGN RELEASE	9/21/12	RAQ
B	MOVED 4 STUDS FOR EASE OF ASSEMBLY, WAS .700", IS .220" ADDED 3 .201" HOLES FOR BUSBAR	11/2/12	RAQ



PARTS LIST			
ITEM	QTY	PART NUMBER	DESCRIPTION
1	1	3-411-1	REV B MNSMA BATTERY BUSBAR
2	6	CAPTIVE FASTENER 616-12 STUD	CAPTIVE FASTENER 616-12 STUD



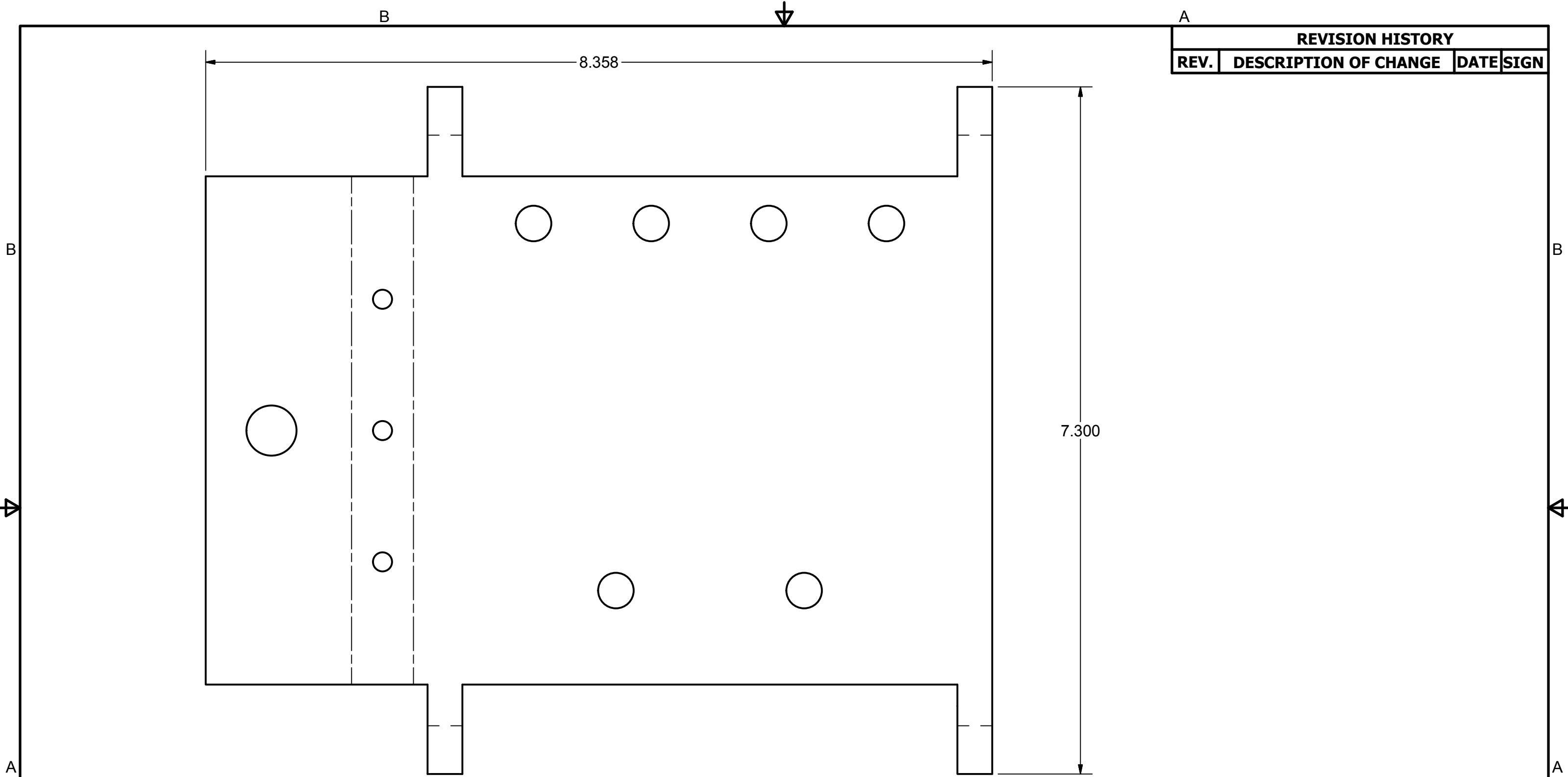
ALL TOLERANCES, UNLESS OTHERWISE STATED:		DRAWN	11/2/2012
x.xxx=+/-0.005"		Bob Q	
x.xx=+/-0.01"		CHECKED	
x.x=+/-0.05"		QA	
ALL ANGLES = +/- 1° UNLESS OTHERWISE STATED		MFG	
MATERIAL:	STANDARDS:	APPROVED	
FINISH:			
PROCESS:			

MIDNITE SOLAR, INC 

3-411-10 REV B MNSMA BATTERY BUSBAR

SIZE	PROJECT:	DWG NO	REV
B	SMA	3-411-10	B

E-FILE:3-411-1 REV B MNSMA BATTERY BUSBAR.ipt SHEET 1 OF 2




REVISION HISTORY			
REV.	DESCRIPTION OF CHANGE	DATE	SIGN

FLAT PATTERN, 1:1

ALL TOLERANCES, UNLESS OTHERWISE STATED: x.xxx= +/-0.005" x.xx= +/-0.01" x.x= +/-0.05" ALL ANGLES = +/- 1° UNLESS OTHERWISE STATED	
MATERIAL:	STANDARDS:
FINISH:	
PROCESS:	

DRAWN Bob Q	11/2/2012
CHECKED	
QA	
MFG	
APPROVED	

MIDNITE SOLAR, INC 

3-411-10 REV B MNSMA BATTERY BUSBAR

SIZE B	PROJECT: SMA	DWG NO 3-411-10	REV B
-----------	-----------------	--------------------	----------

E-FILE:3-411-1 REV B MNSMA BATTERY BUSBAR.ipt SHEET 2 OF 2