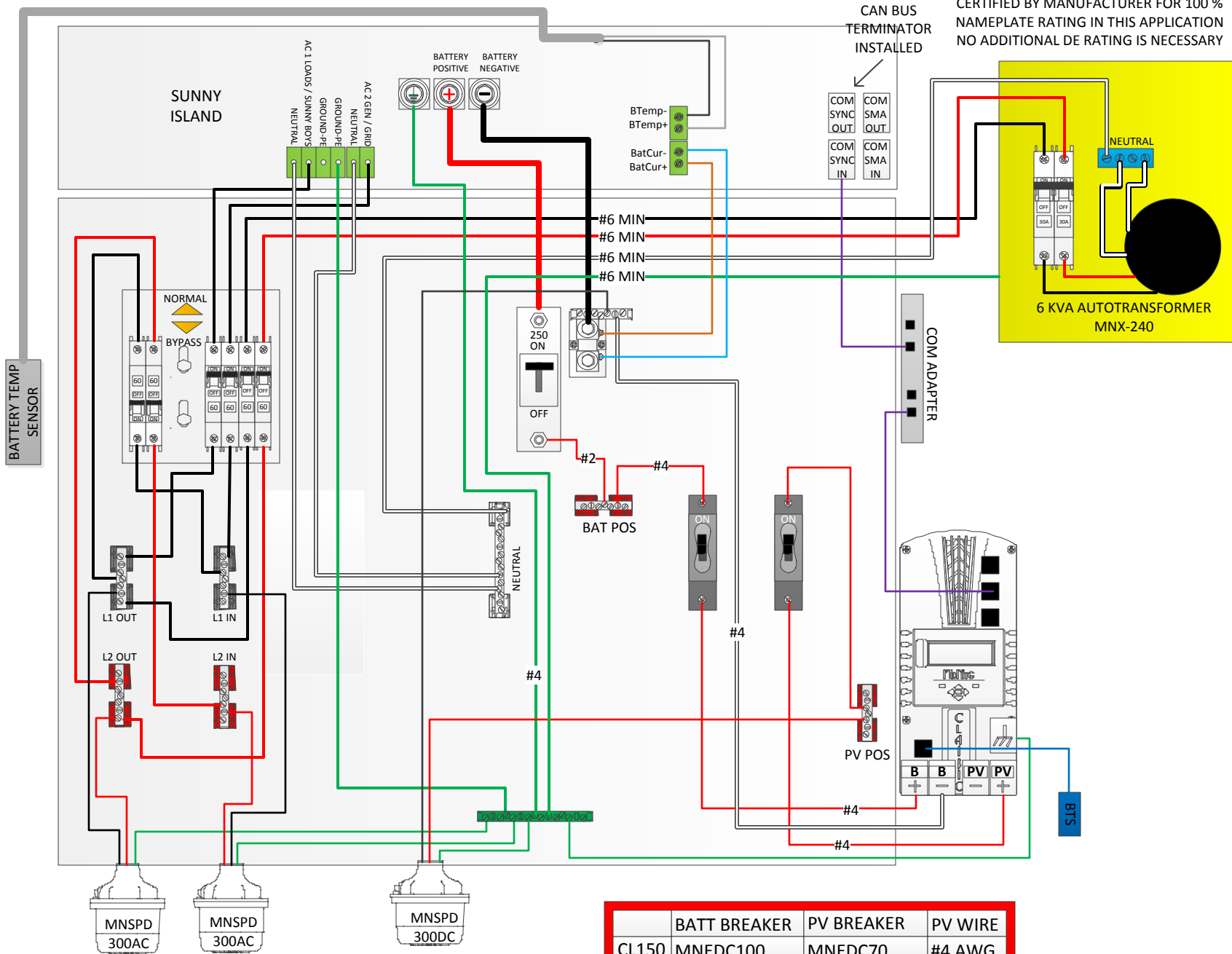


SMA SUNNY ISLAND 240VAC OUT WITH 1 CLASSIC

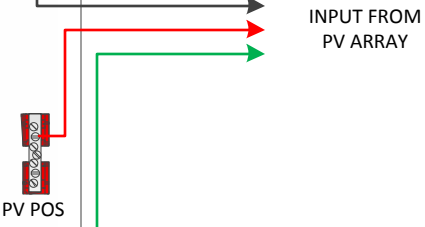
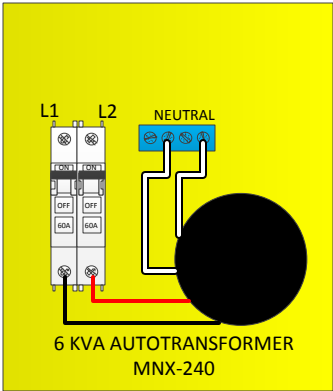
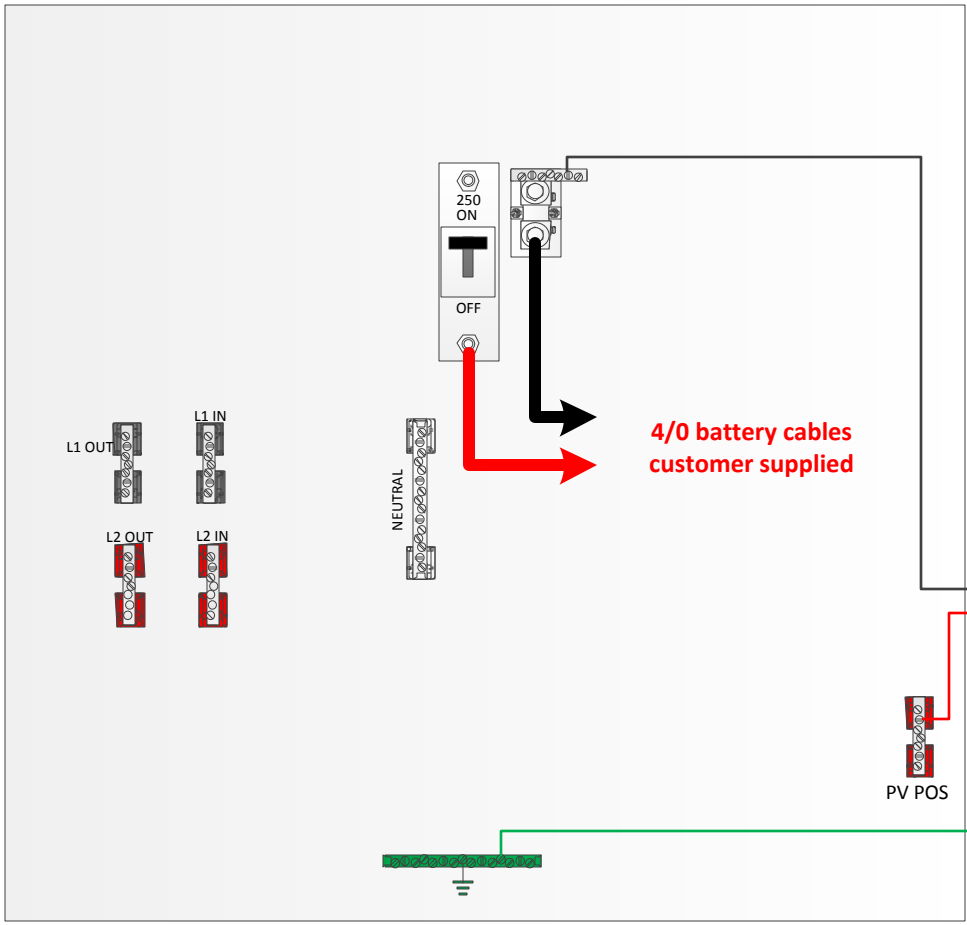
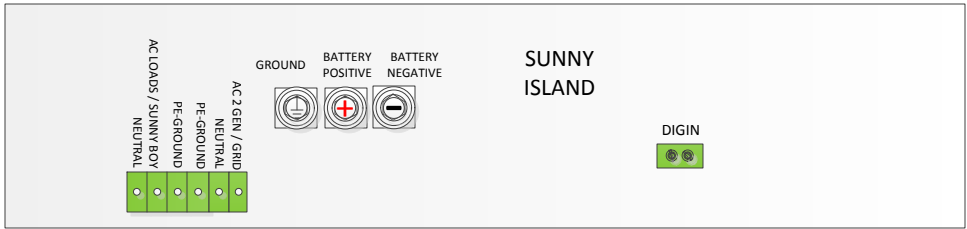
UNLESS OTHERWISE MARKED, ALL INTERNAL WIRING TO BE #6 COPPER THHN
ALL INTERNAL BREAKERS HAVE BEEN CERTIFIED BY MANUFACTURER FOR 100% NAMEPLATE RATING IN THIS APPLICATION
NO ADDITIONAL DERATING IS NECESSARY

Wiring done by MidNite

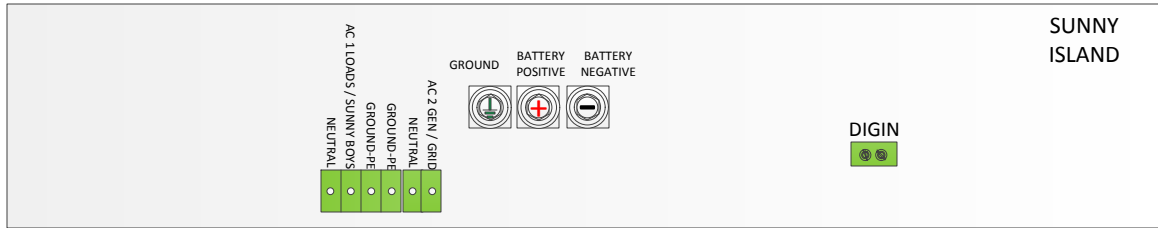


	BATT BREAKER	PV BREAKER	PV WIRE
CL150	MNEDC100	MNEDC70	#4 AWG
CL200	MNEDC80	MNEDC60-300	#6 AWG
CL250	MNEDC70	MNEDC60-300	#6 AWG

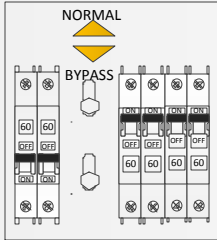
DC Wiring by Customer



AC Wiring done by Customer



Common AC neutral for all AC in and outs



AC L1 and L2 Hot out to Critical Loads panel

AC L1 and L2 Hot in from Utility or Generator Transfer switch



Common Earth Ground for all AC in and outs

