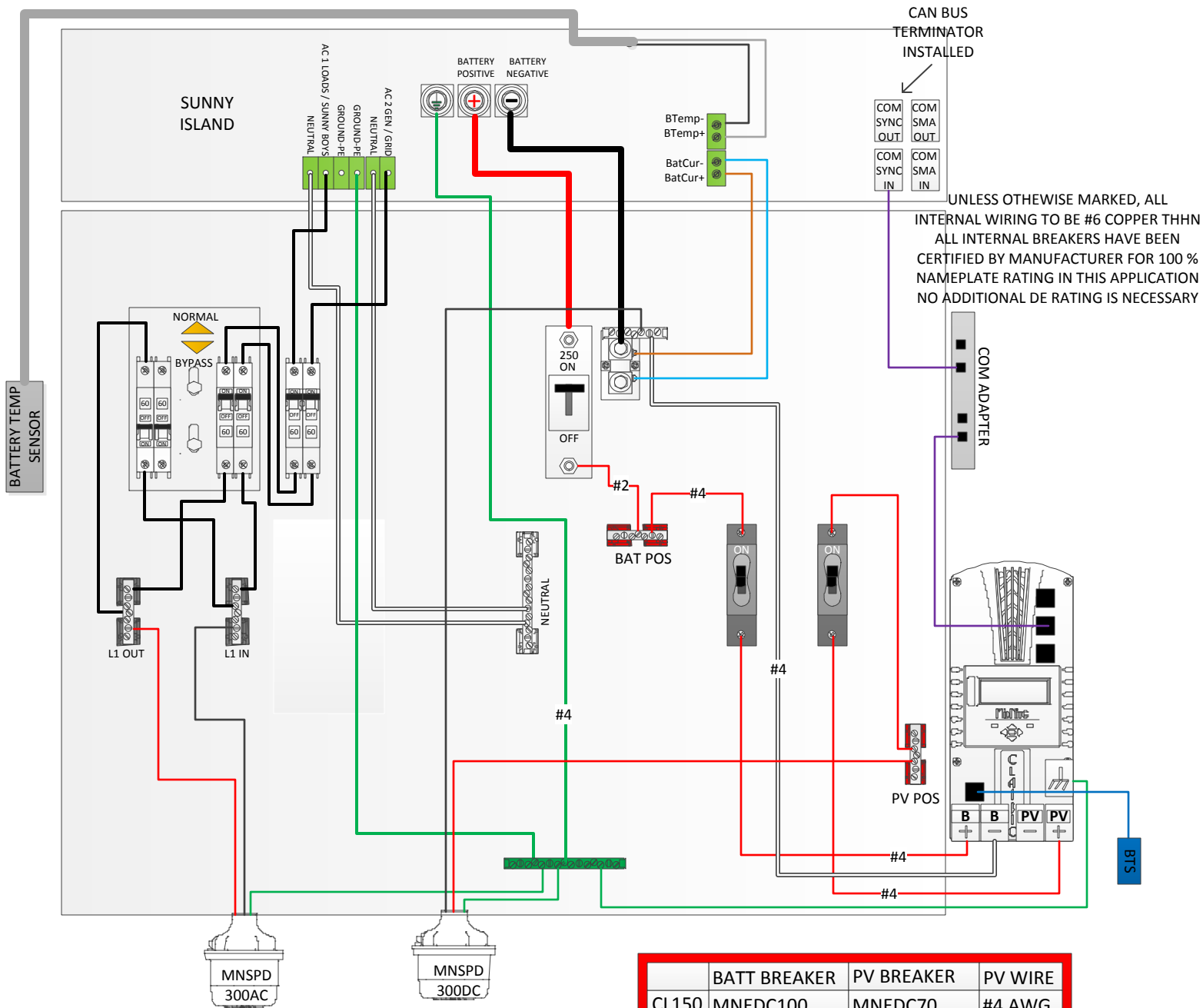


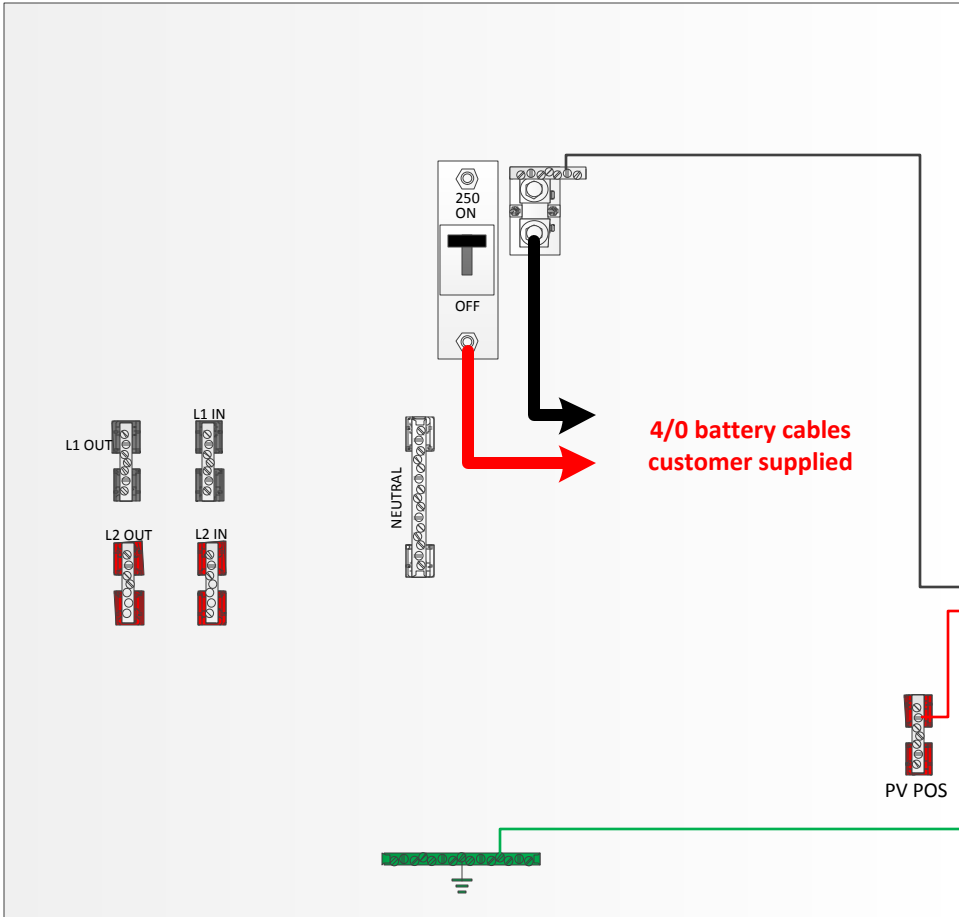
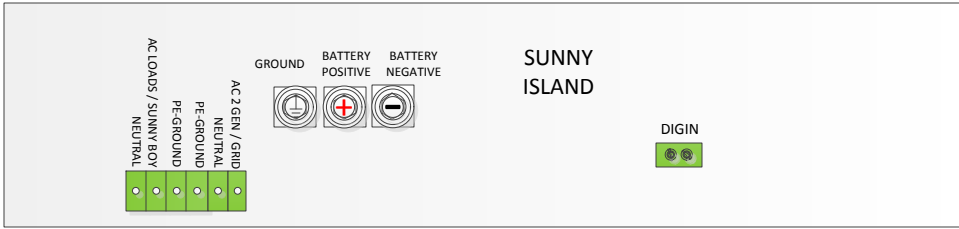
# SMA SUNNY ISLAND 120VAC OUT WITH 1 CLASSIC

Wiring done by MidNite

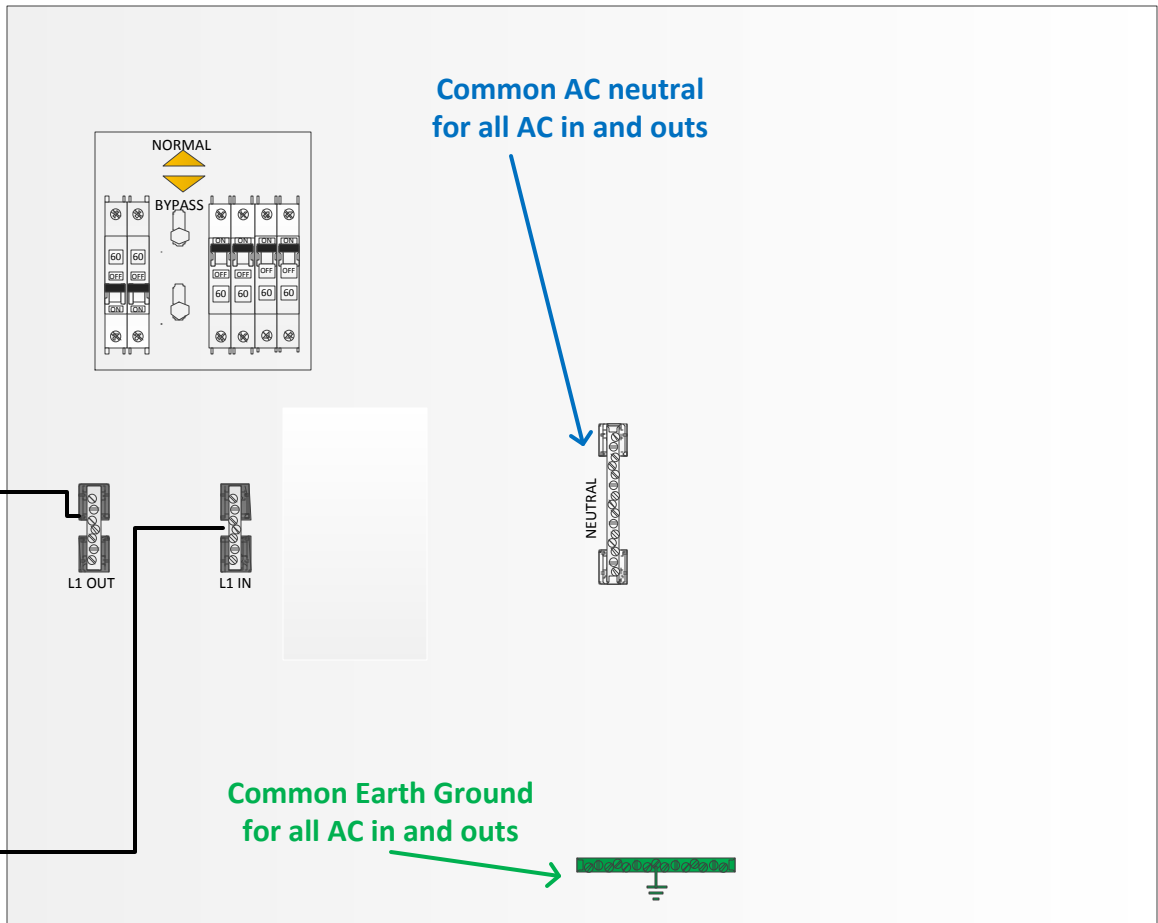
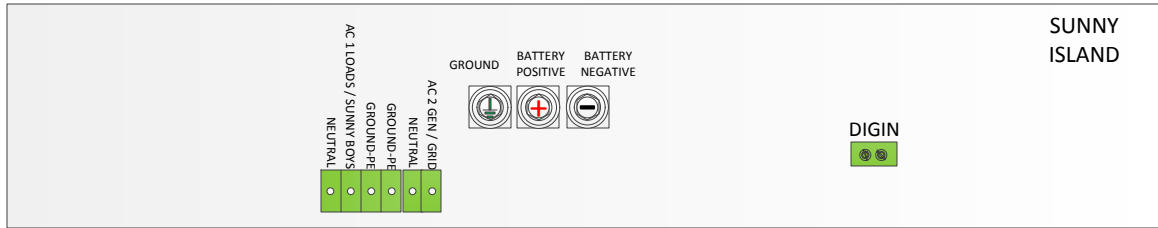


	BATT BREAKER	PV BREAKER	PV WIRE
CL150	MNEDC100	MNEDC70	#4 AWG
CL200	MNEDC80	MNEDC60-300	#6 AWG
CL250	MNEDC70	MNEDC60-300	#6 AWG

# DC Wiring by Customer



# AC Wiring done by Customer



AC L1 Hot out to Critical Loads panel

AC L1 Hot in from Utility or Generator Transfer switch

Common AC neutral for all AC in and outs

Common Earth Ground for all AC in and outs