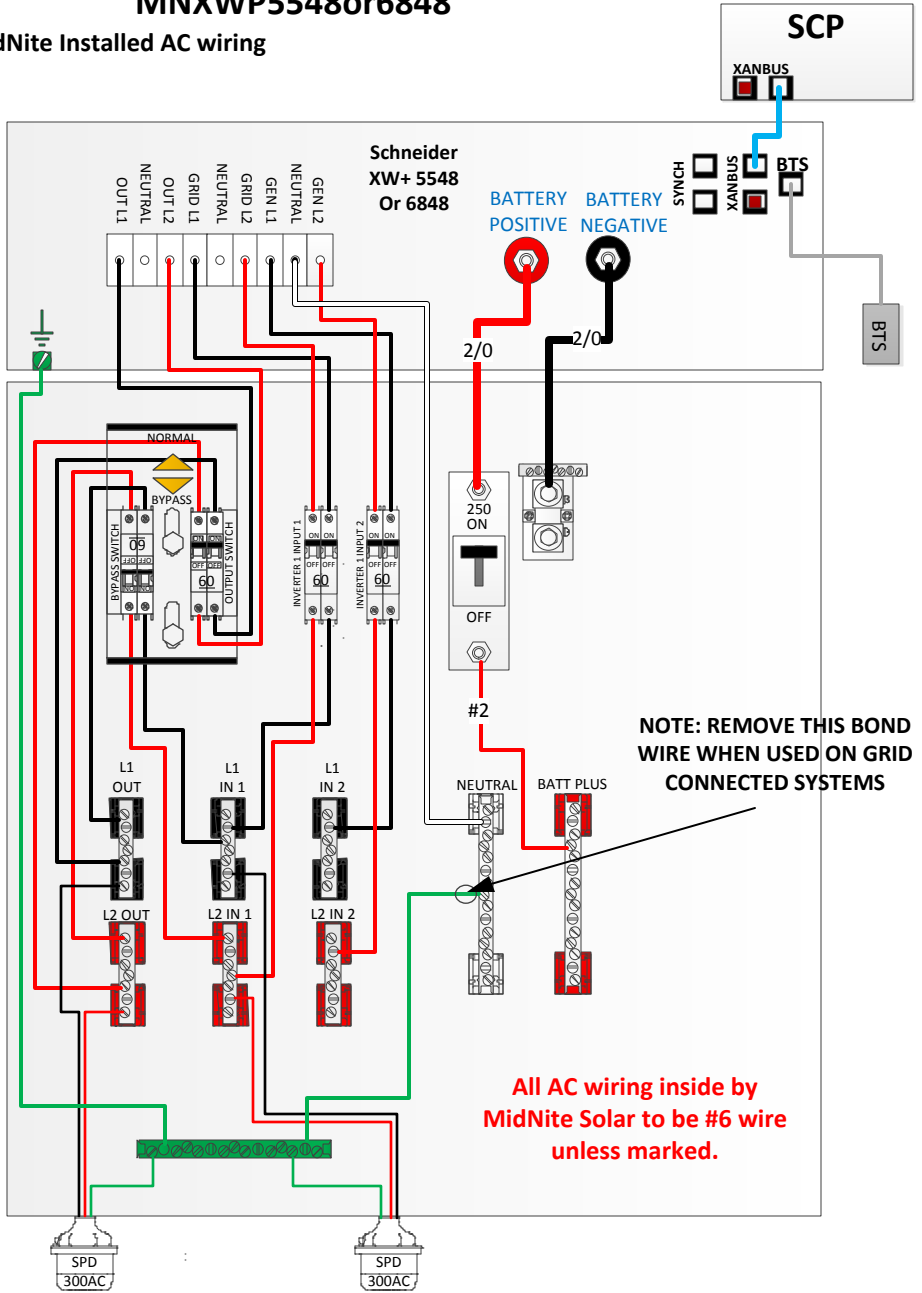
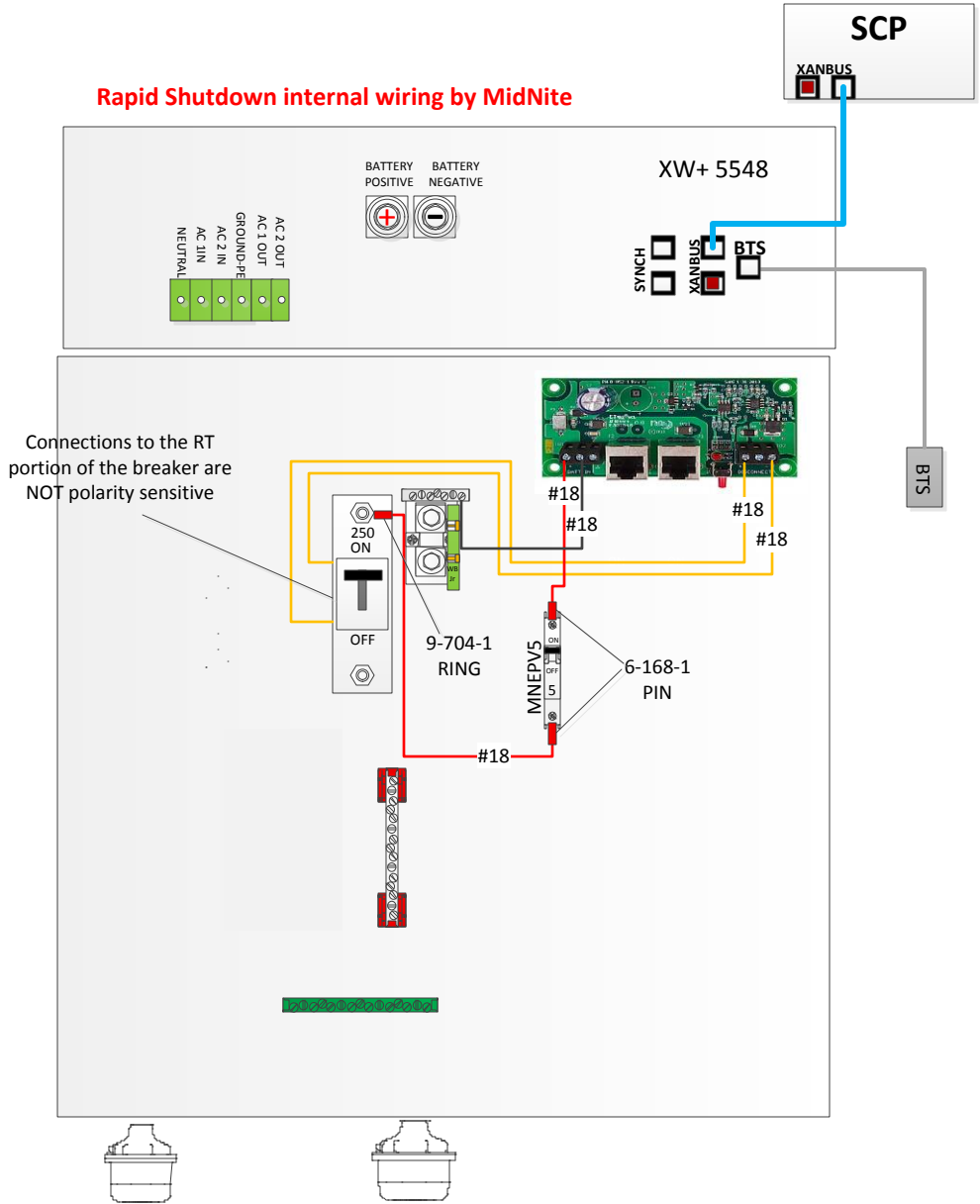


# MNXWP5548or6848

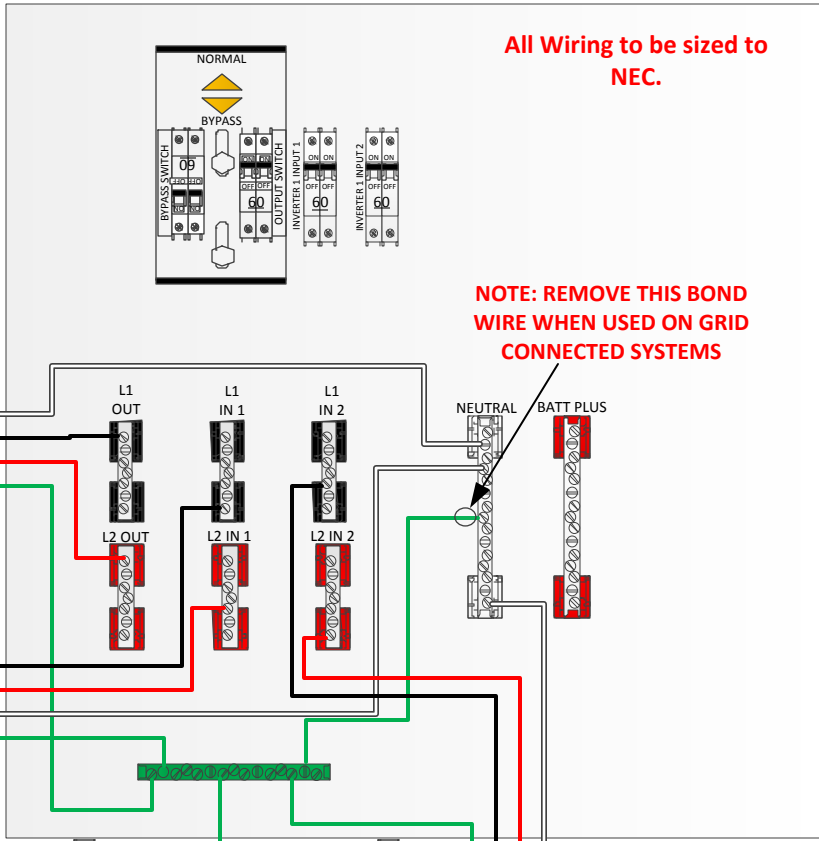
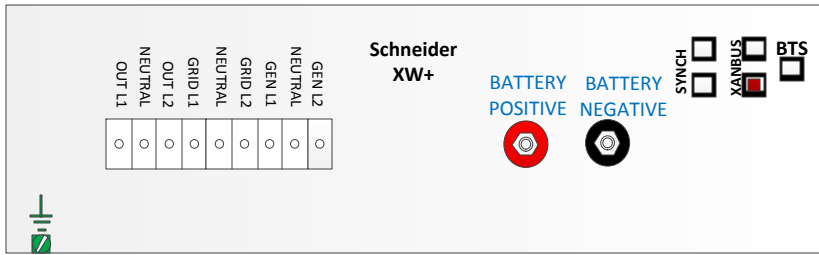
MidNite Installed AC wiring



# Rapid Shutdown internal wiring by MidNite



# Customer Installed AC Wiring



All Wiring to be sized to NEC.

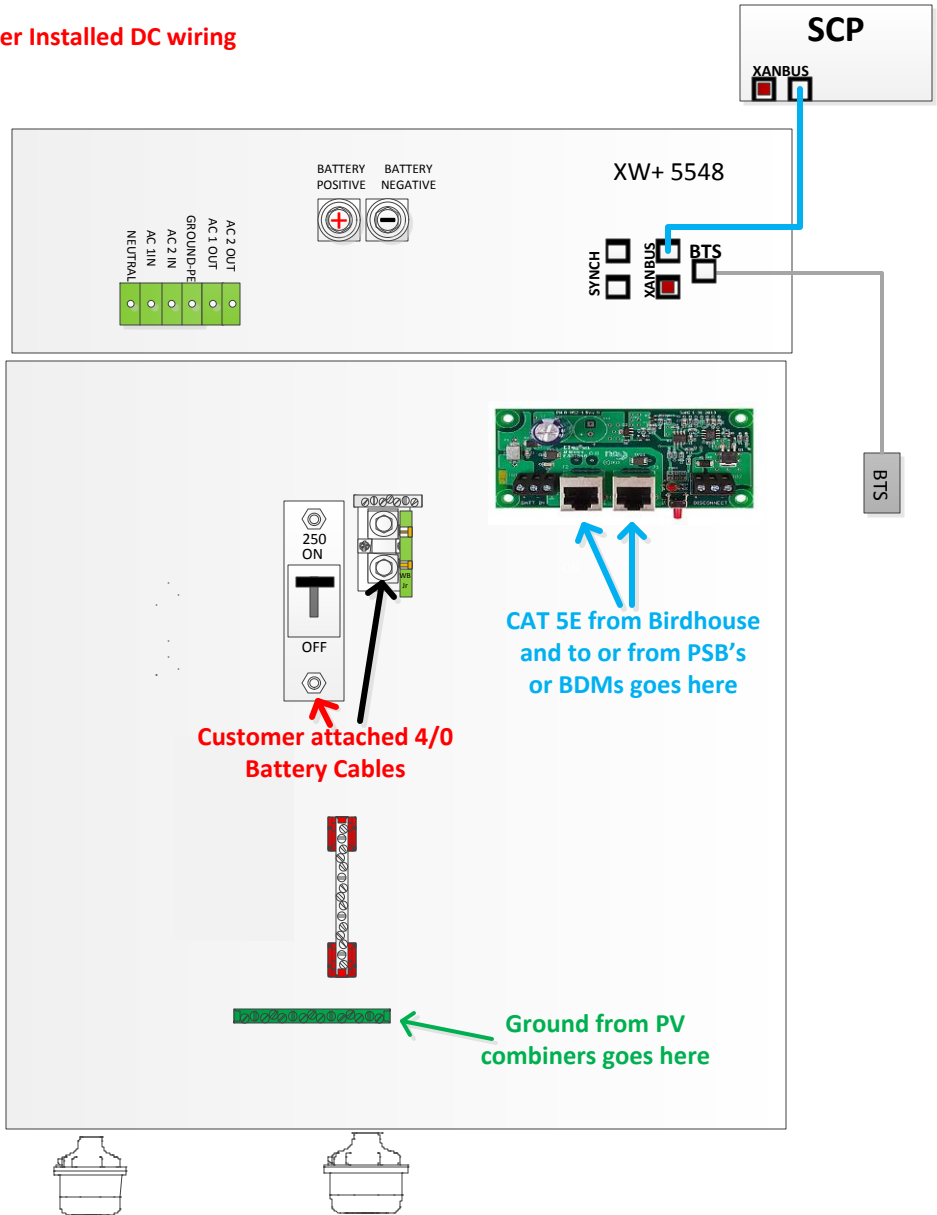
AC Out to Loads

INPUT from Primary AC source

To Ground rod, unless AC system has a ground rod in the Main utility Panel already.

Input from Secondary AC source

**Customer Installed DC wiring**



CAT 5E from Birdhouse  
and to or from PSB's  
or BDMs goes here

Customer attached 4/0  
Battery Cables

Ground from PV  
combiners goes here