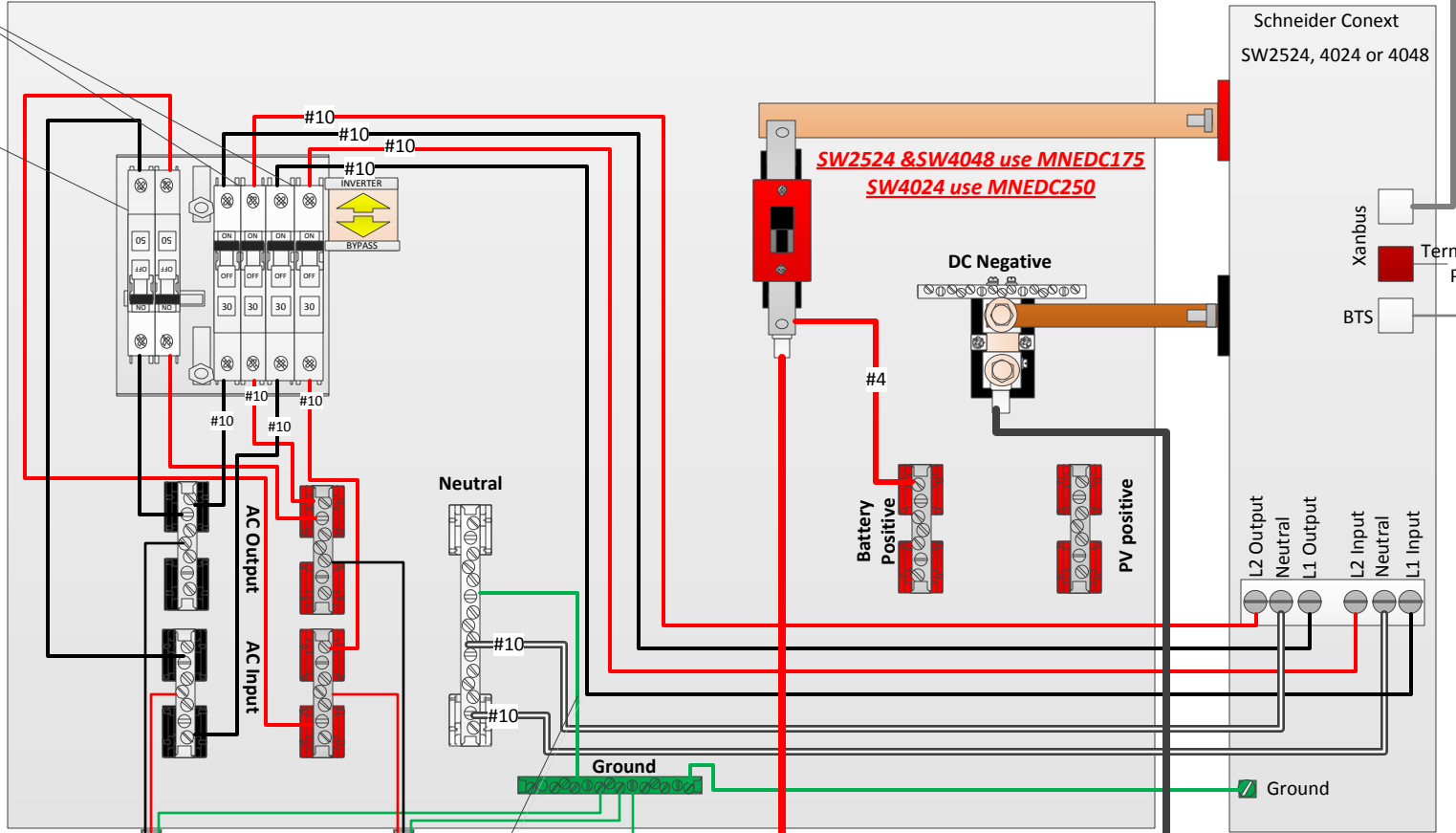


MNEAC30-2P  
AC input&output Breaker

MNEAC50-2P  
Bypass Breaker

Schneider  
System Control  
Panel (SCP)

Schneider Conext  
SW2524, 4024 or 4048



*SW2524 & SW4048 use MNEDC175*  
*SW4024 use MNEDC250*

REMOVE THIS IF THE  
SYSTEM ALREADY  
HAS A BOND

**All AC wiring #8 unless  
otherwise Marked**

