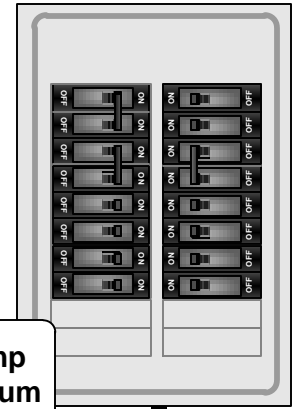
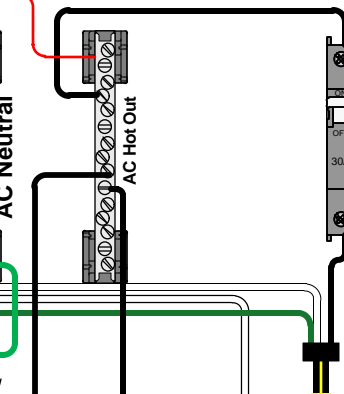
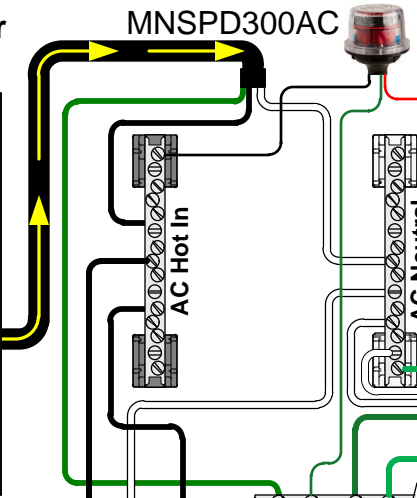
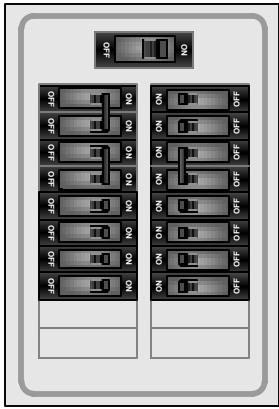


Utility or Generator  
120VAC Output

MNSPD300AC

MS4024 with 1 Classic  
10-421-1 REVA

120VAC  
Load Panel



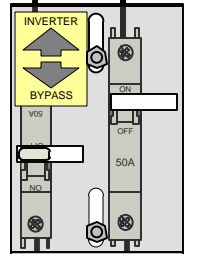
30Amp  
Minimum  
Customer  
Installed  
Breaker

From  
E-Panel  
(AC In)  
to  
Inverter  
(AC In)

Inverter  
AC Input  
Disconnect  
(50A)

AC Ground  
50A AC  
Bypass

From Inverter  
(AC Out) to  
E-Panel (AC Out)



From  
E-Panel  
(AC out)  
to  
Load  
Center

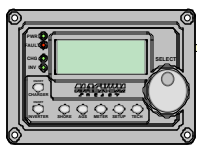
MAGNUM ENERGY  
MS4024 Series  
Inverter/Charger

Optional Breakers/Disconnects  
(6 spaces max @ 13mm)

### AC WIRING

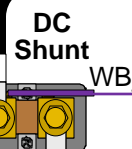
### DC WIRING

Remote Control ARC50



Battery  
Temperature  
Sensor

DC-  
and  
PV-  
Buss

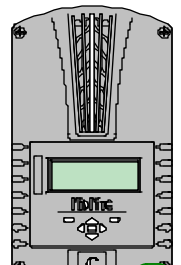


DC Shunt

WBjr

Main Battery  
Shutoff 250A

DC +  
Buss

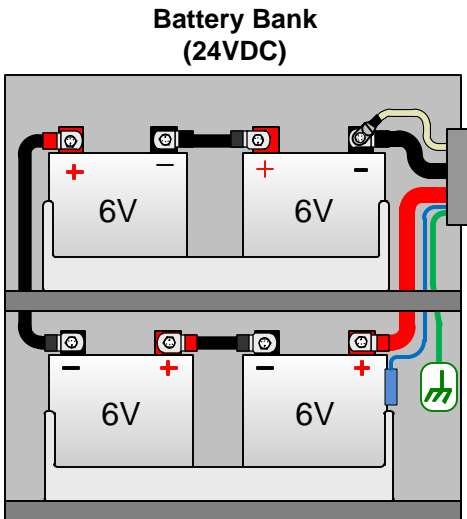


Classic 150 =  
MNEDC100 Battery Breaker  
MNEDC70 PV Breaker

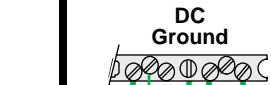
Classic 200 =  
MNEDC80 Battery Breaker  
MNEDC60-300 PV Breaker

Classic 250 =  
MNEDC70 Battery Breaker  
MNEDC60-300 PV Breaker

ALL CLASSIC  
WIRING IS #4



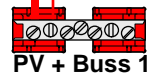
Battery Bank  
(24VDC)



DC Ground

MNSPD300DC

Note AC and DC Grounds go to the Same  
BusBar, Drawn Separate for clarity



PV + Buss 1