

1

2

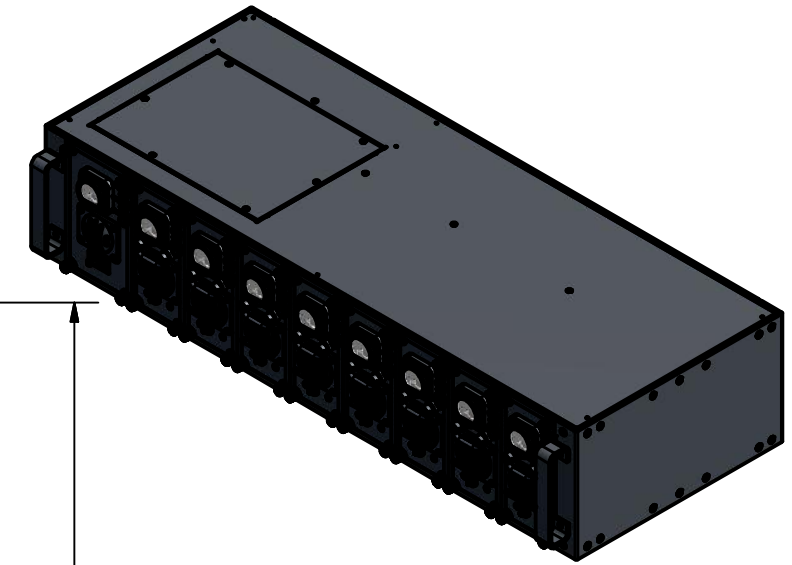
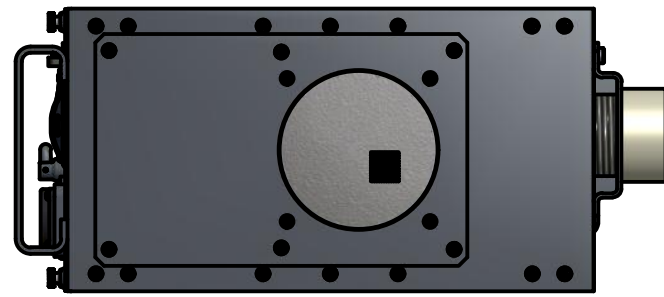
3

4

5

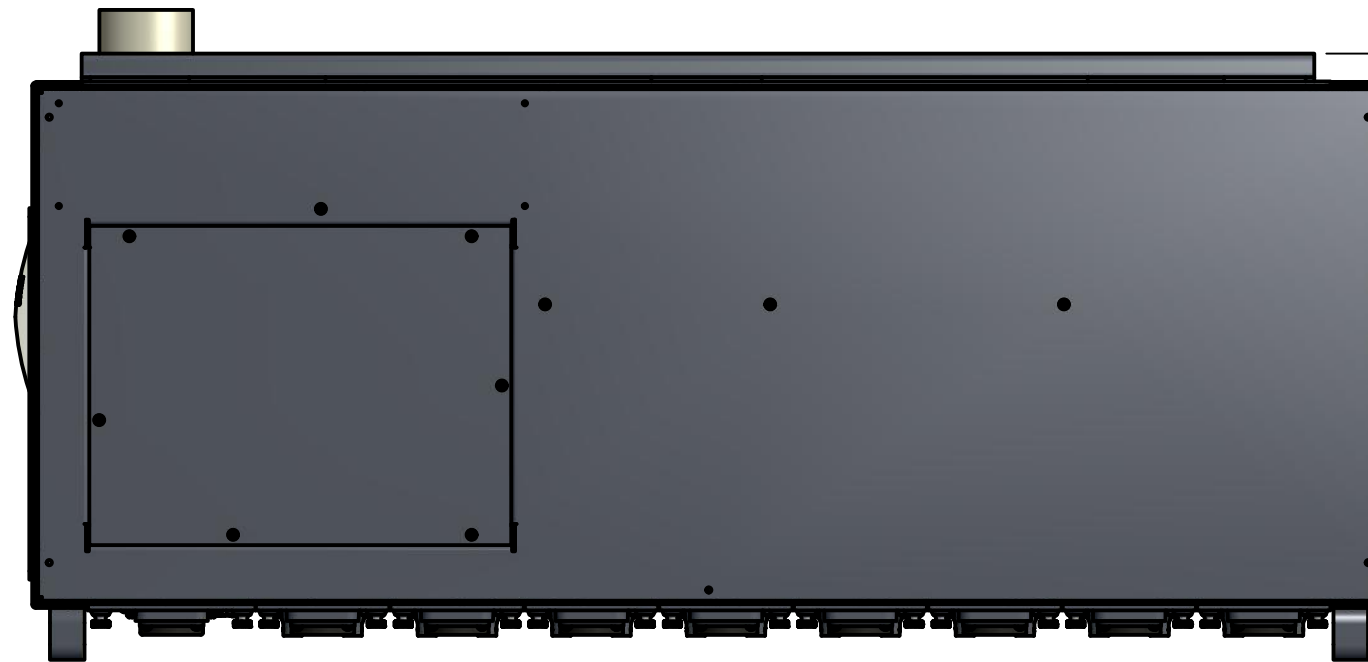
6

REVISION HISTORY			
REV.	DESCRIPTION OF CHANGE	DATE	SIGN

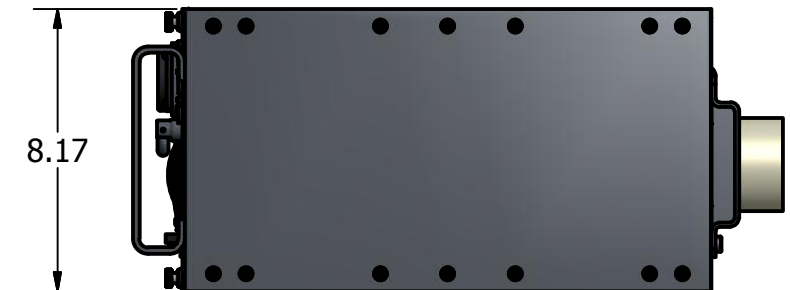
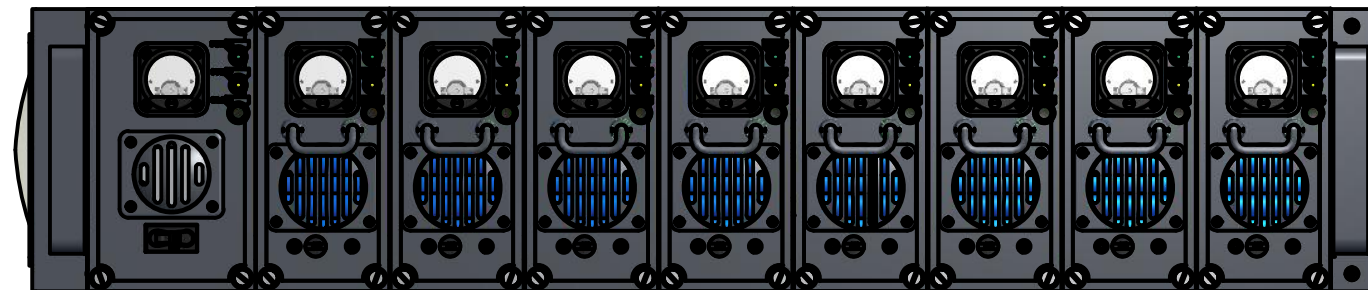


39.41


17.54



8.17



ALL TOLERANCES, UNLESS OTHERWISE STATED: x.xxx=+/-0.005" x.xx=+/-0.01" x.x=+/-0.05"		DRAWN Bobq	4/13/2018
ALL ANGLES =+/- 1° UNLESS OTHERWISE STATED		CHECKED	
MATERIAL:	STANDARDS:	QA	
FINISH:		MFG	
PROCESS:		APPROVED	

MIDNITE SOLAR, INC 

B17-B EIGHT BATTERY MODULE FINAL ASSY

SIZE B	PROJECT: A	DWG NO B17-B	REV
-----------	---------------	-----------------	-----

E-FILE: B17-B EIGHT BATTERY MODULE FINAL ASSY.ipt SHEET 1 OF 1

B

4

A