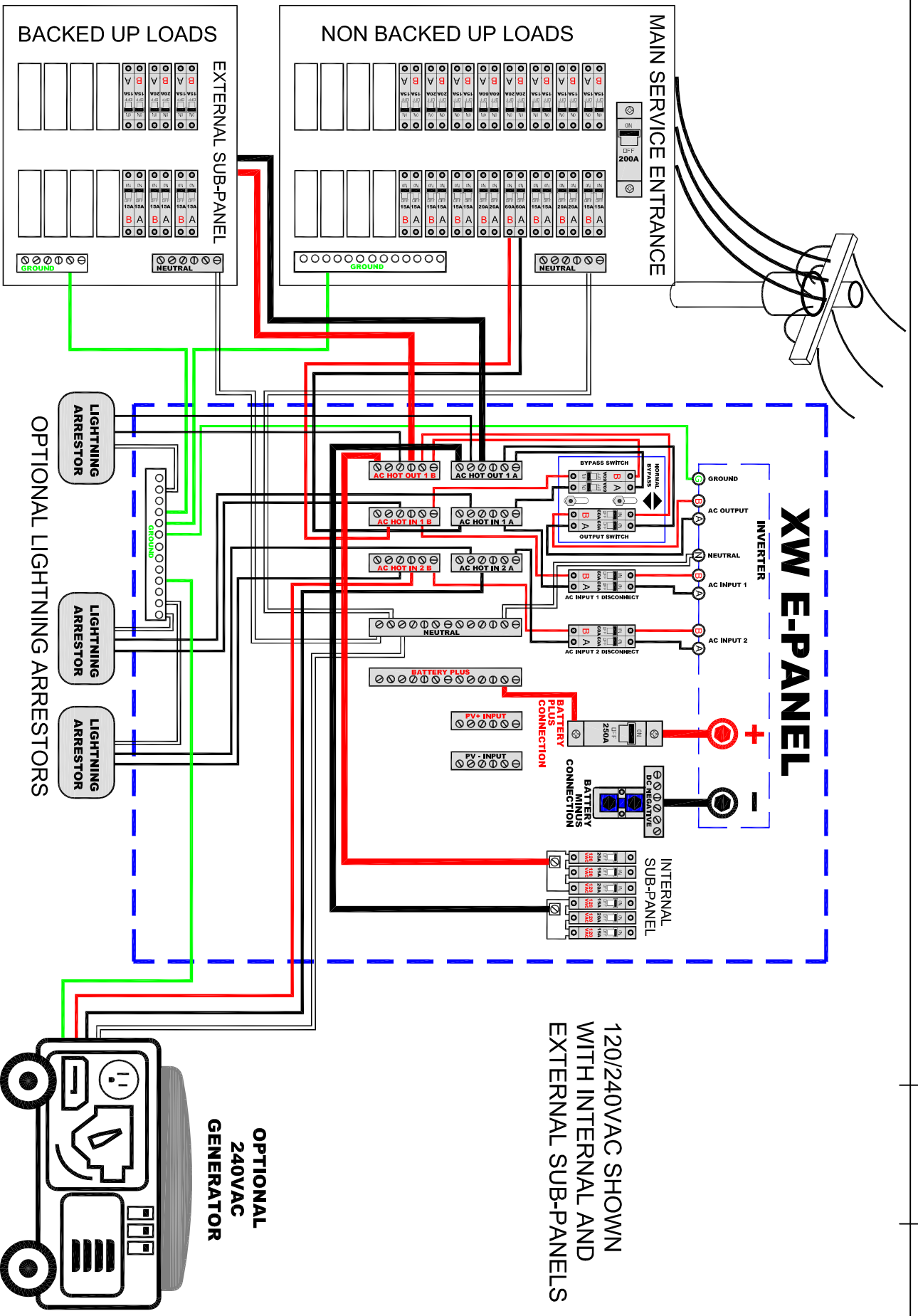


REV	DESCRIPTION	DATE	APPROVED



120/240VAC SHOWN WITH INTERNAL AND EXTERNAL SUB-PANELS

OPTIONAL 240VAC GENERATOR



14000 BURN RD  
ARLINGTON, WA  
98223 USA

# XW POWER BACK UP DIAGRAM