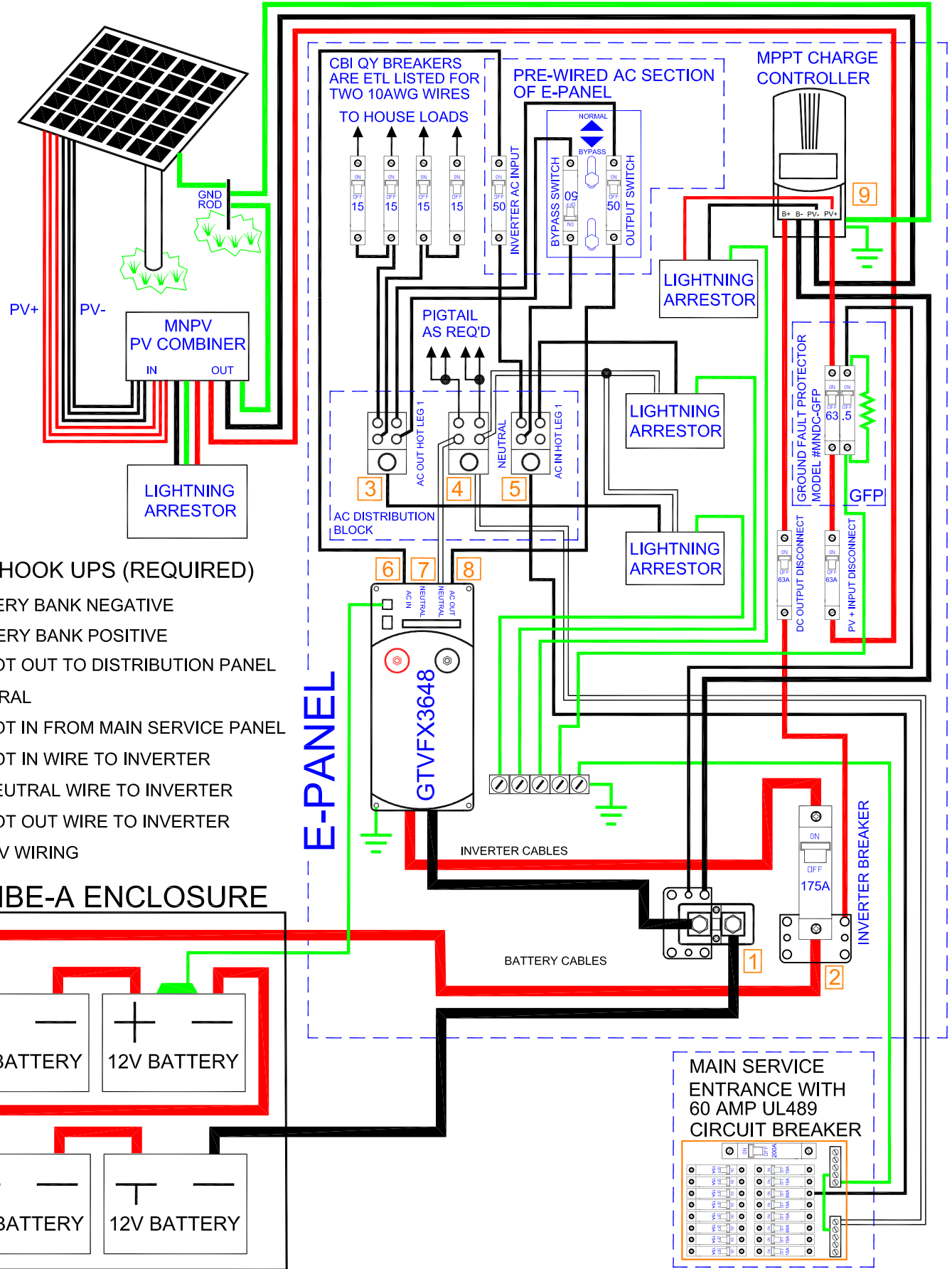


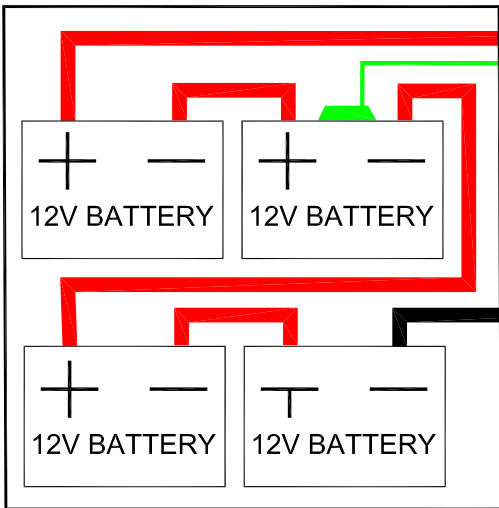
REV	DESCRIPTION	DATE	APPROVED
C	ADDED AC DISTRIBUTION BREAKERS	12-10-05	RWG



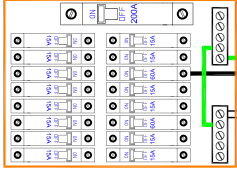
FIELD HOOK UPS (REQUIRED)

- 1 BATTERY BANK NEGATIVE
- 2 BATTERY BANK POSITIVE
- 3 AC HOT OUT TO DISTRIBUTION PANEL
- 4 NEUTRAL
- 5 AC HOT IN FROM MAIN SERVICE PANEL
- 6 AC HOT IN WIRE TO INVERTER
- 7 AC NEUTRAL WIRE TO INVERTER
- 8 AC HOT OUT WIRE TO INVERTER
- 9 ALL PV WIRING

MNBE-A ENCLOSURE



MAIN SERVICE ENTRANCE WITH 60 AMP UL489 CIRCUIT BREAKER



14000 BURN RD
ARLINGTON, WA
98223 USA

DOC TITLE
E-PNL OUTBACK GRID TIE