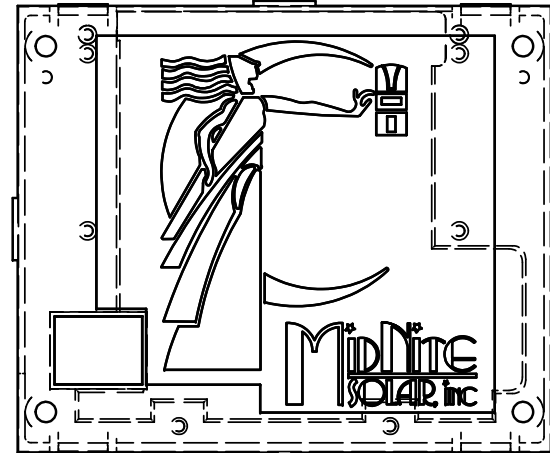
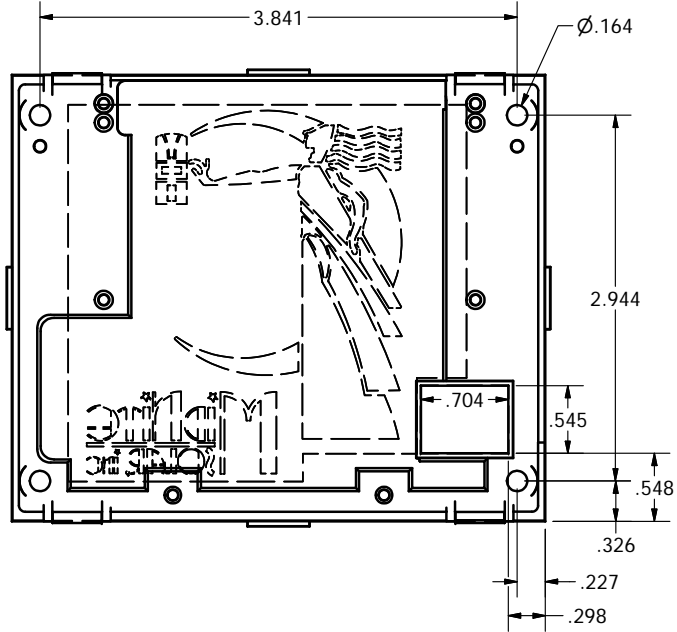



REVISION HISTORY			
REV.	DESCRIPTION OF CHANGE	DATE	SIGN



<b>ALL TOLERANCES, UNLESS OTHERWISE STATED:</b> x.xxx = +/- 0.005" x.xx = +/- 0.01" x.x = +/- 0.05" <b>ALL ANGLES = +/- 1° UNLESS OTHERWISE STATED</b>		DRAWN Robin CHECKED QA MFG APPROVED	7/2/2014
MATERIAL:	STANDARDS:	TITLE	
FINISH:		<b>Mid Nite Solar</b>	
PROCESS:			

<b>MID NITE SOLAR, INC</b> 			
TITLE			
<b>Mid Nite Solar</b>			
E-FILE: displaybase9tall.ipt			SHEET 1 OF 1