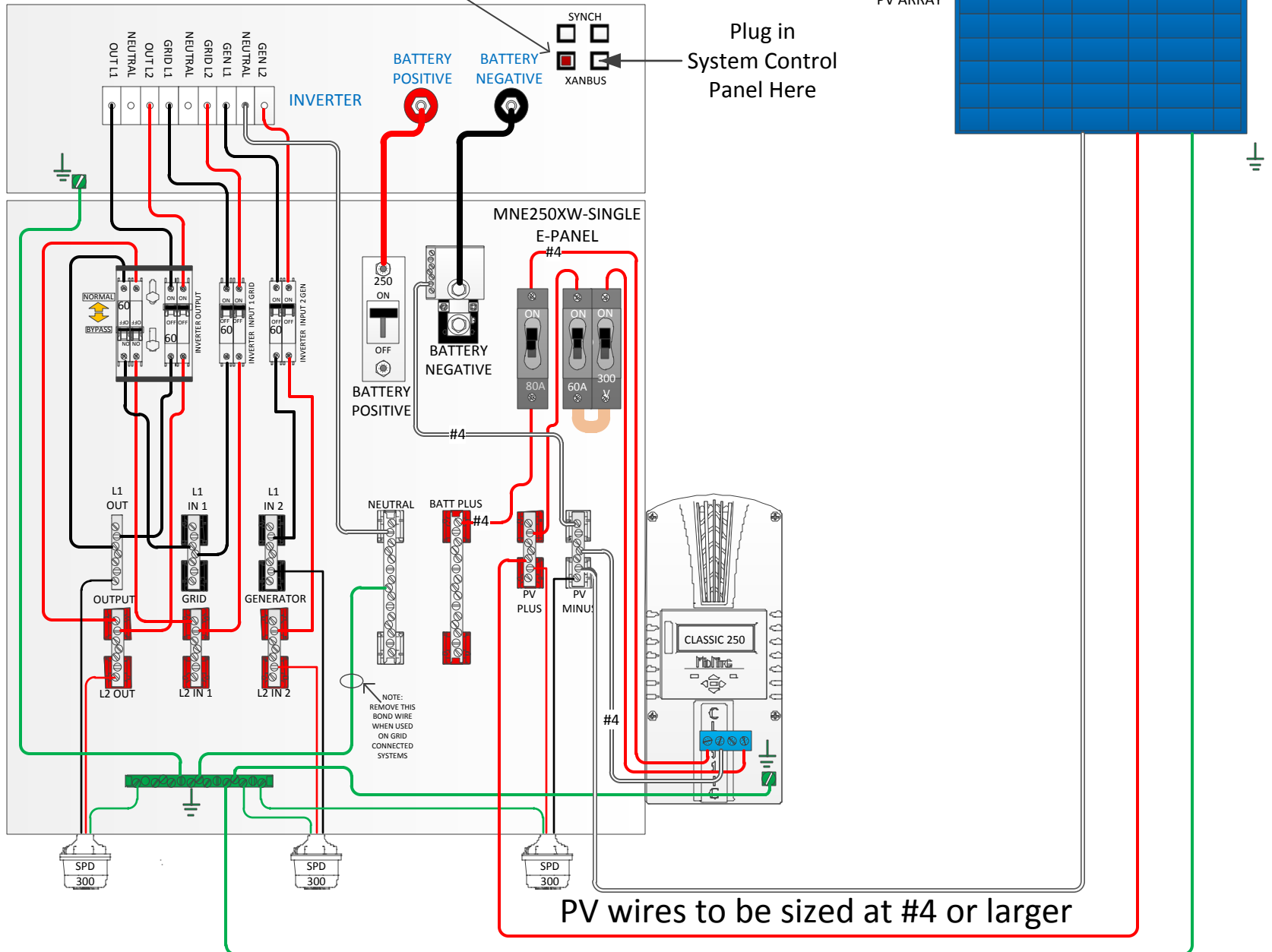


# XW SINGLE 6048 OFF GRID OR BATTERY BACK UP GRID TIED SYSTEM WITH CLASSIC 150

**NOTE:**  
ALL AC WIRING TO  
BE #6 THHN UNLESS  
OTHERWISE  
MARKED

**NOTE: INSTALL  
TERMINATOR PLUG  
HERE.**



PV ARRAY