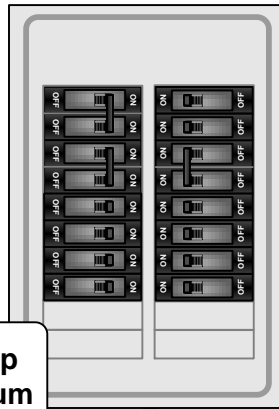
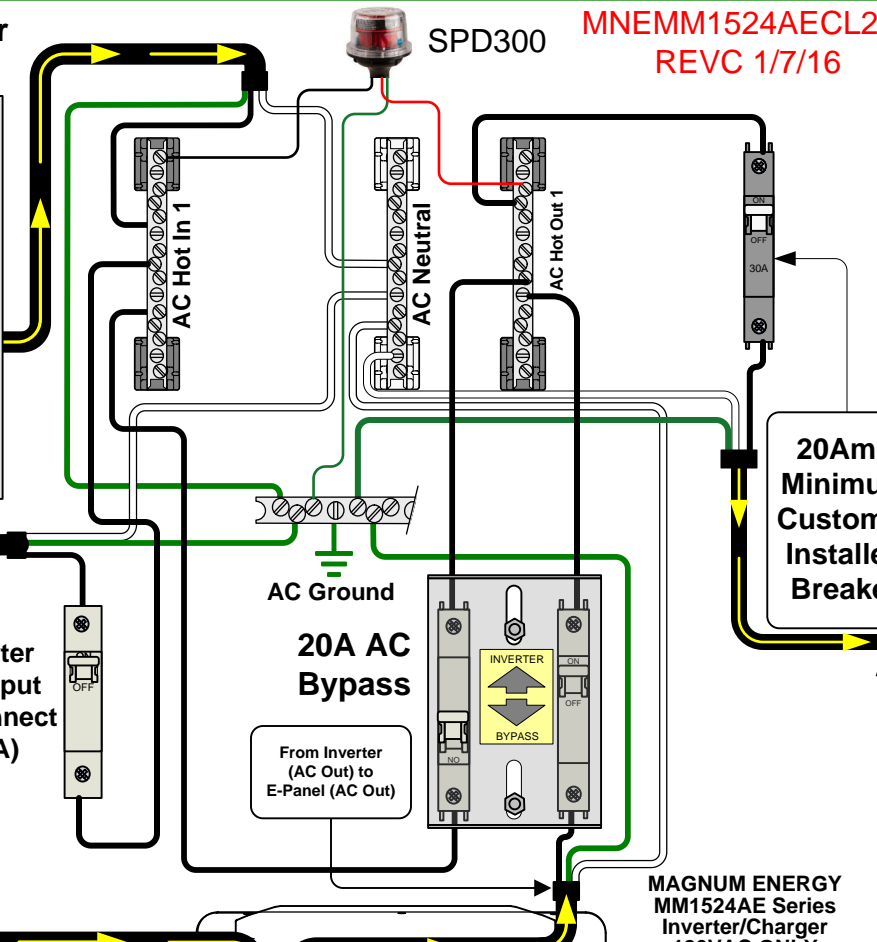
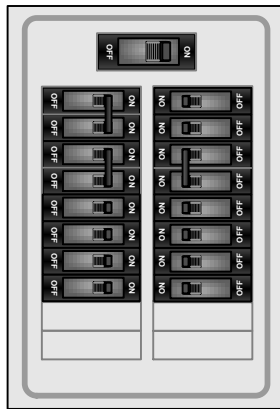


Utility or Generator  
120VAC Output

MNEMM1524AECL200  
REVC 1/7/16

120VAC  
Load Panel



20Amp  
Minimum  
Customer  
Installed  
Breaker

From  
E-Panel  
(AC In)  
to  
Inverter  
(AC In)

Inverter  
AC Input  
Disconnect  
(15A)

AC Ground  
20A AC  
Bypass

From Inverter  
(AC Out) to  
E-Panel (AC Out)

From  
E-Panel  
(AC out)  
to  
Load  
Center

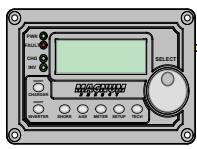
MAGNUM ENERGY  
MM1524AE Series  
Inverter/Charger  
120VAC ONLY

Optional Breakers/Disconnects  
(6 spaces max @ 13mm)

### AC WIRING

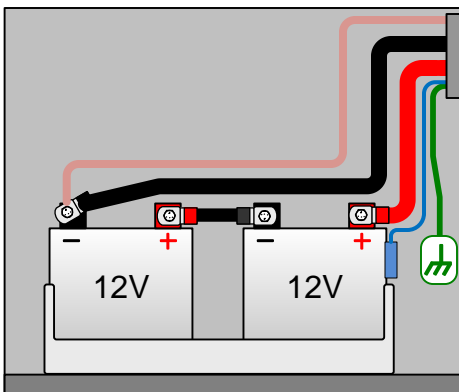
### DC WIRING

Remote Control MM-RC25



Battery  
Temperature  
Sensor

Battery Bank  
(24VDC)



DC Shunt

DC -  
Buss

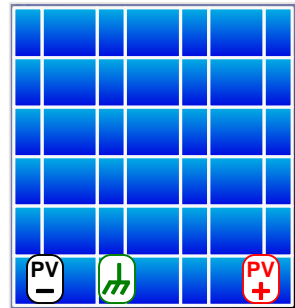
Main Battery  
Shutoff 125A

DC +  
Buss

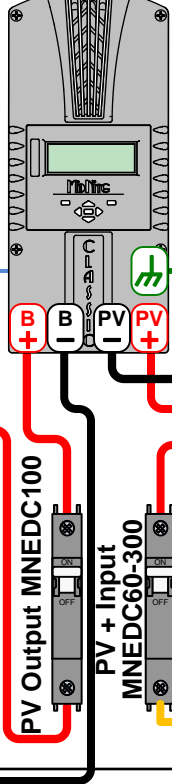
DC Ground

MIDNITE SOLAR  
Classic 200  
Controller

PV Panels



PV +  
Buss



SPD300

Note AC and DC Grounds go to the Same  
BusBar, Drawn Separate for clarity