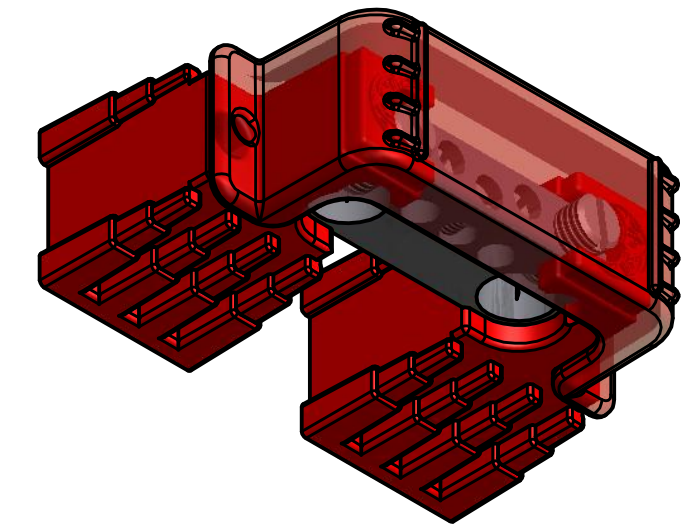
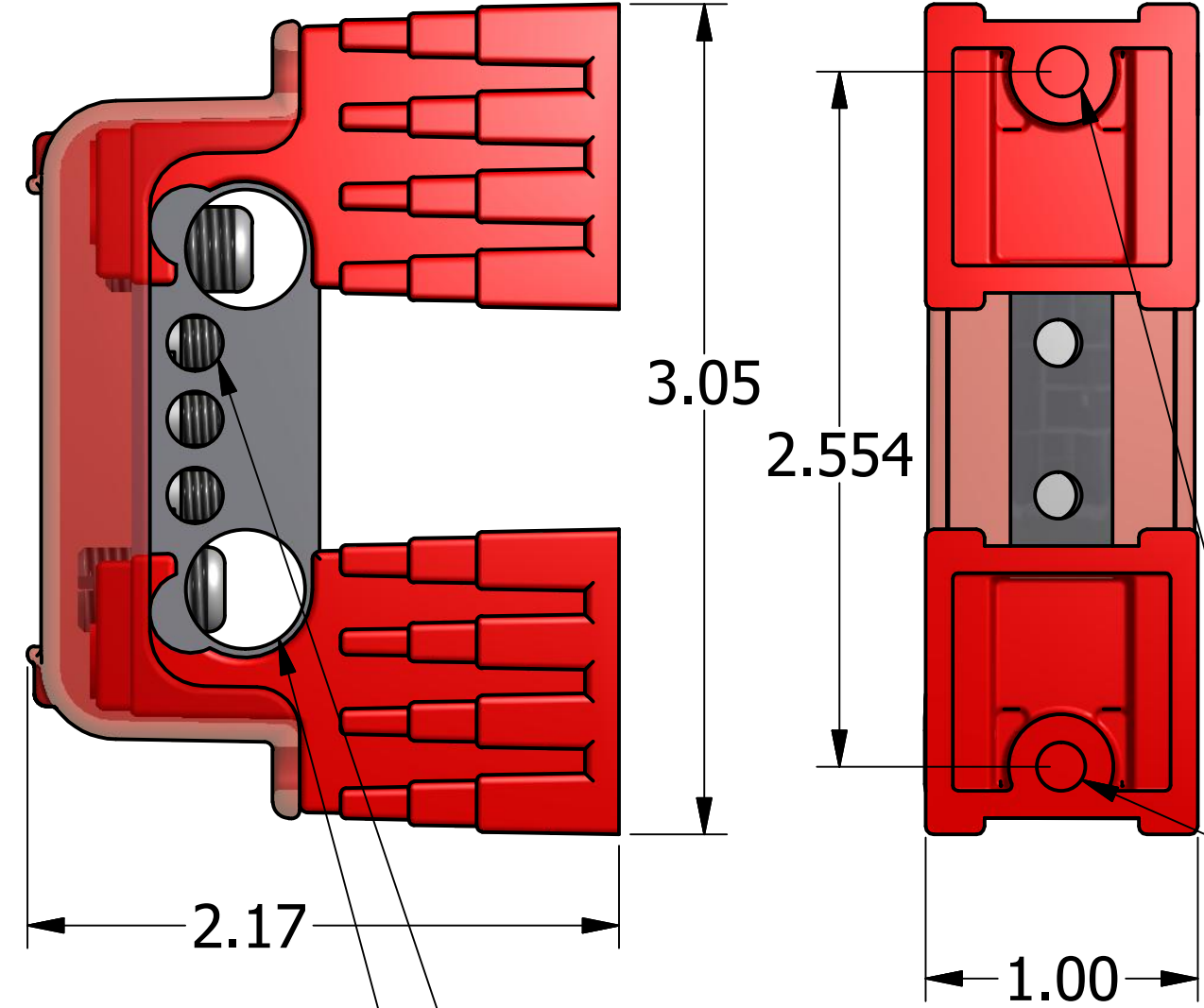
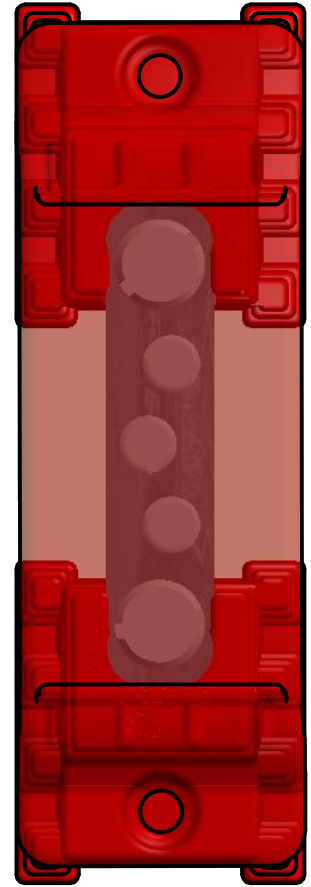


REVISION HISTORY			
REV.	DESCRIPTION OF CHANGE	DATE	SIGN




10-32 THREADED INSERT

14-6 AWG THREE PLACES

2/0 AWG TWO PLACES

INSULATED BUSBAR
 250 AMP / 600 VOLT
 NYLON BASE, ABS SNAP ON COVER
 UL & CSA 90C ALUMINUM & COPPER

ALL TOLERANCES, UNLESS OTHERWISE STATED: x.xxx=+/-0.005" x.xx=+/-0.01" x.x=+/-0.05" ALL ANGLES = +/- 1° UNLESS OTHERWISE STATED		DRAWN Robin	6/29/2014
MATERIAL:		CHECKED	
FINISH:		QA	
PROCESS:		MFG	
STANDARDS:		APPROVED	

MIDNITE SOLAR, INC 			
TITLE MidNite Solar			
SIZE B	PROJECT: MNXX	DWG NO MNTBB2-5	REV
E-FILE:tbb 2-0 5 pos.iam			SHEET 1 OF 1