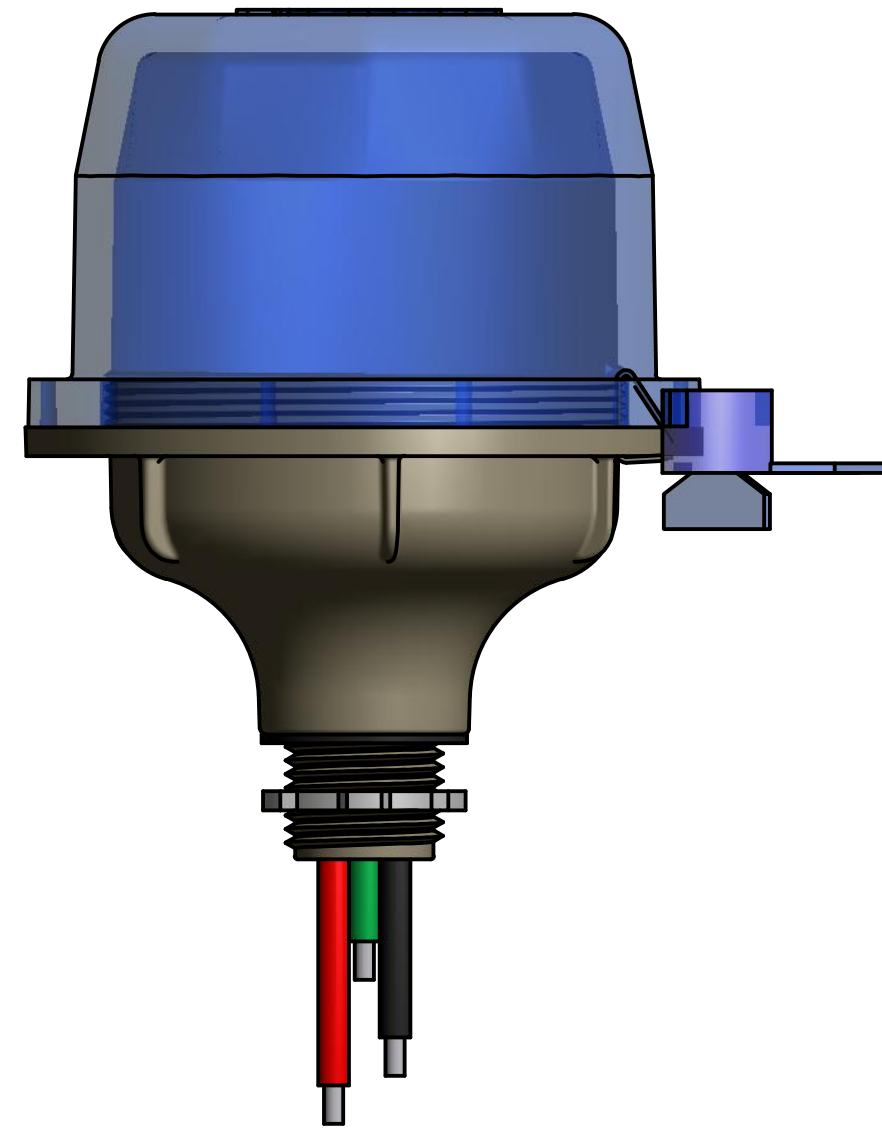
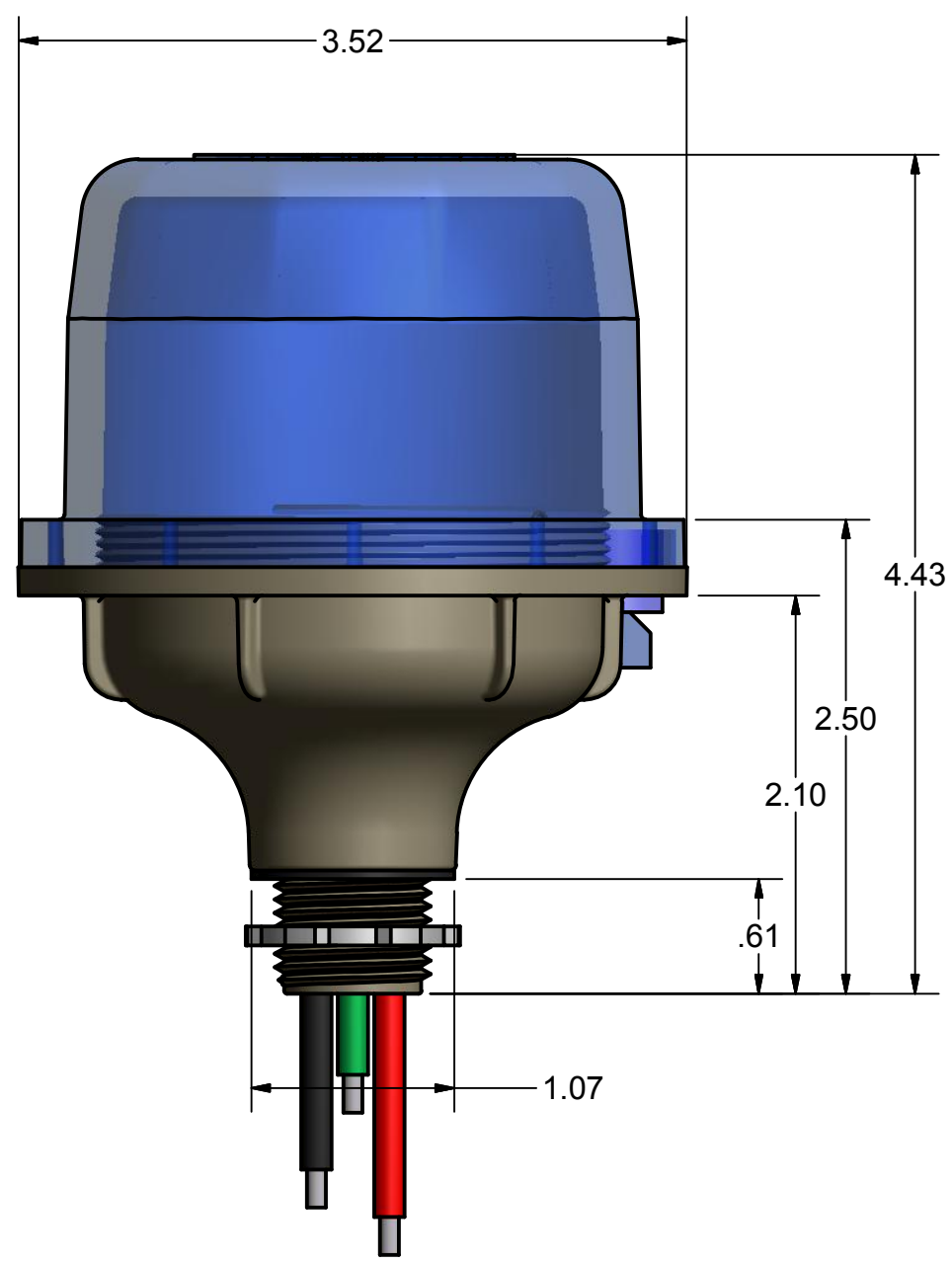



REVISION HISTORY			
REV.	DESCRIPTION OF CHANGE	DATE	SIGN



ALL TOLERANCES, UNLESS OTHERWISE STATED: x.xxx=+/-0.005" x.xx=+/-0.01" x.x=+/-0.05" ALL ANGLES =+/- 1° UNLESS OTHERWISE STATED	
MATERIAL:	STANDARDS:
FINISH:	
PROCESS:	

DRAWN Bob Q	8/2/2011
CHECKED	
QA	
MFG	
APPROVED	

MIDNITE SOLAR, INC 

TITLE: **MNSPD REV B**

SIZE B	PROJECT: MNspd	DWG NO MNSPD REV B	REV b
-----------	-------------------	-----------------------	----------

E-FILE: MNSPD REV B .iam SHEET 1 OF 1