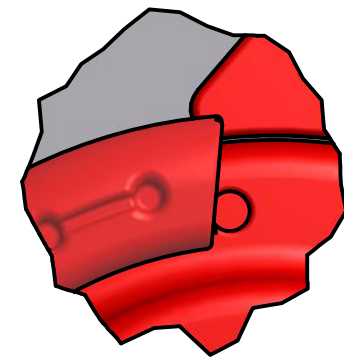
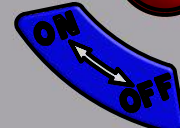
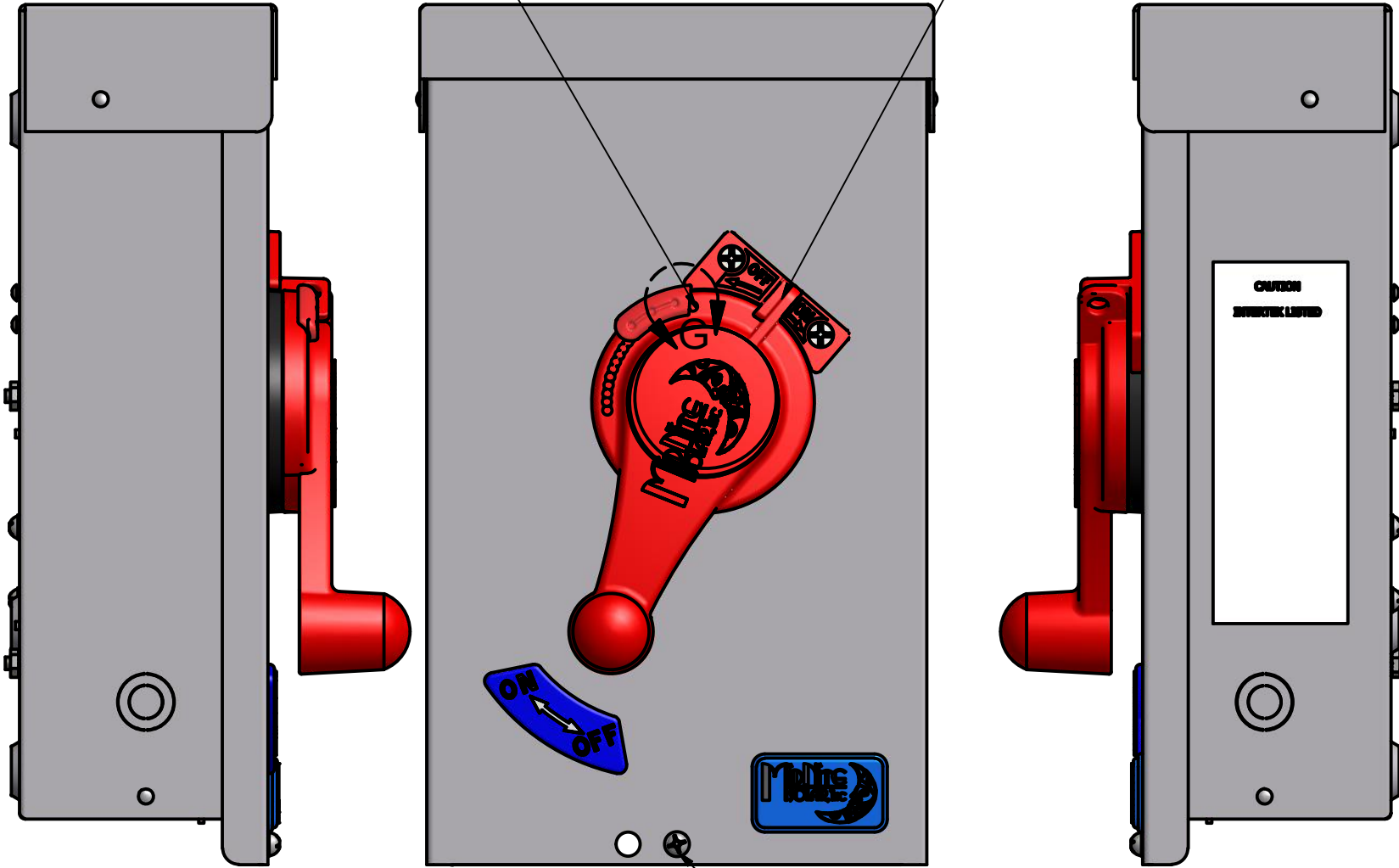


NOTE THAT THE POSITION OF STOP IS LOCATED USING THE SINGLE HOLE AS A PLACEMENT GUIDE.

NOTE THAT THE HANDLE IS BELOW THE LOCK BASE

DETAIL G
SCALE 1.5

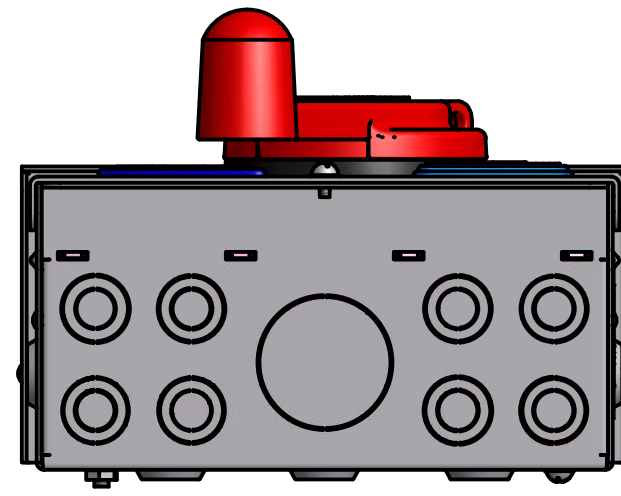
REVISION HISTORY			
REV.	DESCRIPTION OF CHANGE	DATE	SIGN
A	RELEASED FOR PRODUCTION	1/28/11	RAQ



SEE SHEET 3 FOR P/N OF SCREW AND WASHER



PARTS LIST			
ITEM	QTY	PART NUMBER	DESCRIPTION
29	1	MNPV6 DISCO FRONT COVER ASSY	MNPV6 DISCO FRONT COVER ASSY
30	1	MNPV6 DISCO CHASSIS ASSY	MNPV6 DISCO CHASSIS ASSY



NOTES:
1) THIS ASSEMBLY IS BROKEN DOWN INTO TWO ASSEMBLIES:
PAGE 2 IS THE FRONT COVER ASSEMBLY AND ASSEMBLY NOTES
PAGE 3 IS THE CHASSIS ASSEMBLY AND ASSEMBLY NOTES

ALL TOLERANCES, UNLESS OTHERWISE STATED: x.xxx=+/-0.005" x.xx=+/-0.01" x.x=+/-0.05" ALL ANGLES =+/- 1° UNLESS OTHERWISE STATED		DRAWN Bob Q	12/26/2011
MATERIAL:		CHECKED	
FINISH:		QA	
PROCESS:		MFG	
STANDARDS:		APPROVED	

MIDNITE SOLAR, INC

TITLE
MNPV6 REV A DISCO 3R

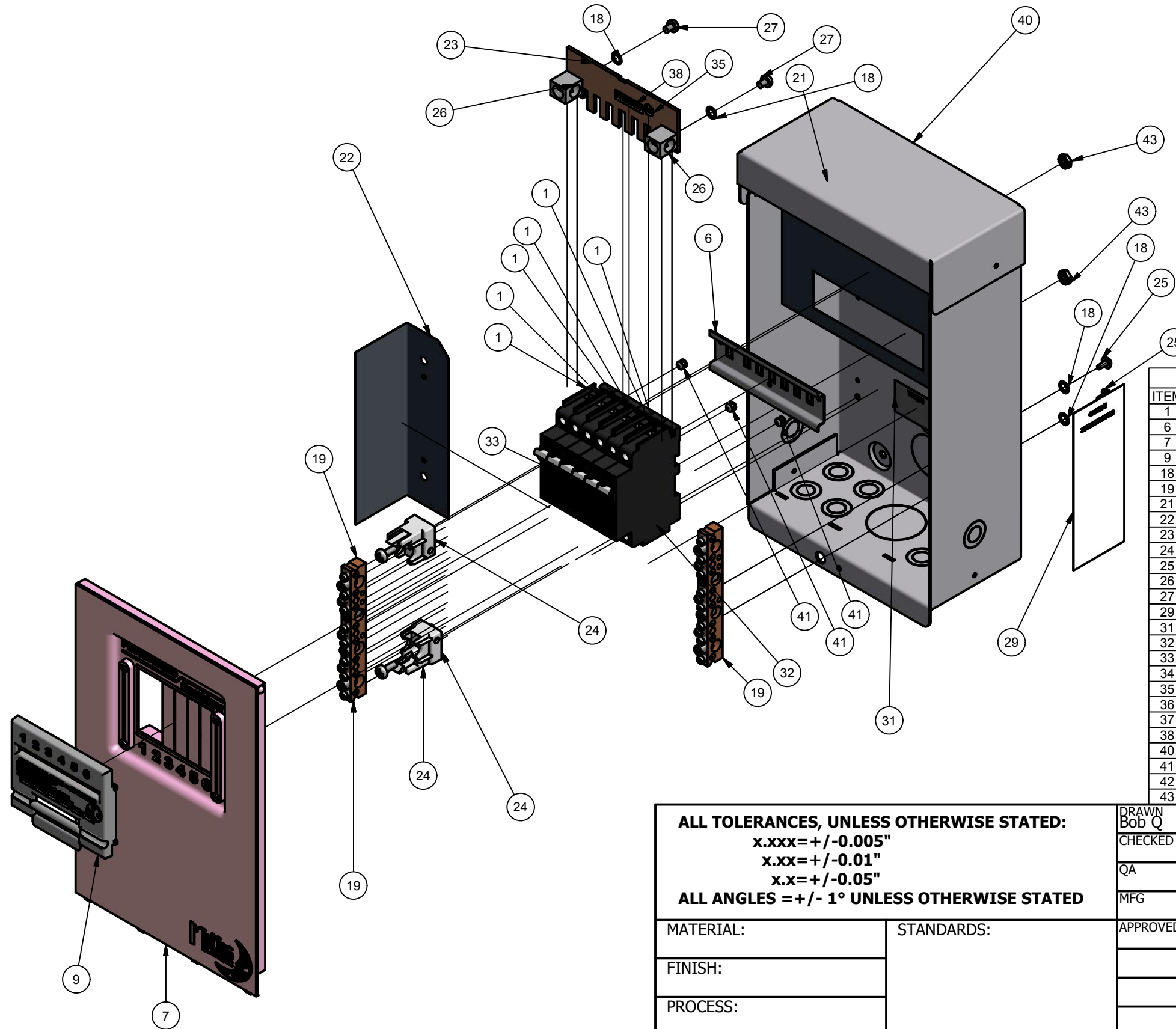
SIZE B	PROJECT: MNPV6 DISCO 3R	DWG NO MNPV6 REV A DISCO 3R	REV A
-----------	----------------------------	--------------------------------	----------

E-FILE:MNPV6 REV A DISCO 3R.iam SHEET 1 OF 5

NOTES:

- 1) THIS DOCUMENT SHOWS THE ASSEMBLY OF MNPV6 DISCO AND REFERENCES MNPV6 DISCO-250 THE DIFFERENCES ARE ITEM 23, ITEM 27 AND ITEM 26.
- * ITEM 23 ON MNPV6 DISCO-250 IS 3-175-1
- * ITEM 26 ON MNPV6 DISCO-250 IS QUANTITY 1, INSTEAD OF 2
- * ITEM 27 ON MNPV6 DISCO-250 IS QUANTITY 1, INSTEAD OF 2
- 2) BREAKERS ARE SHOWN FOR REFERENCE ONLY AND ARE TO BE PROVIDED BY CUSTOMER

REVISION HISTORY			
REV.	DESCRIPTION OF CHANGE	DATE	SIGN



PARTS LIST			
ITEM	QTY	PART NUMBER	DESCRIPTION
1	6	MNEPV BREAKER	MNEPV BREAKER
6	1	3-043-1 REV A MNPV6 DIN RAIL	3-043-1 REV A MNPV6 DIN RAIL
7	1	5-019-1 REV D MNPV6 DISCO DEADFRONT	5-019-1 REV D MNPV6 DISCO DEADFRONT
9	1	5-054-1 REV E MNPV6 DISCO SLIDER	5-054-1 REV E MNPV6 DISCO SLIDER
18	4	6-017-1 INT. STAR WASHER 10	6-017-1 INT. STAR WASHER NO.10 SS
19	2	9-037-1 REV B CAL FASTENER C71498001	9-037-1 REV B CAL FASTENER C71498001
21	1	5-021-1 REV A INSUL. DINRAIL FUSE HOLDER	5-021-1 REV A INSUL. DINRAIL FUSE HOLDER
22	1	5-022-1 REV B INSUL. PV BUSBAR	5-022-1 REV A INSUL. PV BUSBAR
23	1	3-042-1 REV A MNPV6 BUSBAR	3-042-1 REV A MNPV6 BUSBAR
24	2	5-015-2 REV D WHITE INSULATOR BUSBAR	5-015-2 REV D WHITE INSULATOR BUSBAR
25	2	6-037-1 SCREW SMS 10 X.4125 PHP SS	6-037-1 SCREW SMS 10-32 X.313 PHP SS
26	2	9-075-1 CAL FASTENER CA5SP	9-075-1 CAL FASTENER CA5SP
27	2	6-059-1 SCREW 10-32 X .250 PHP SS	6-059-1 SCREW 10-32 X .250 PHP SS
29	1	10-008-1-A CAUTION LABEL	10-008-1-A CAUTION LABEL
31	1	10-008-1-C TORQUE	10-008-1-C TORQUE
32	1	10-008-1-D PV POSITIVE	10-008-1-D PV POSITIVE
33	1	10-008-1-E PV NEGATIVE	10-008-1-E PV NEGATIVE
34	1	10-008-1-F DC-	10-008-1-F DC-
35	1	10-008-1-GDC+	10-008-1-G DC+
36	1	10-008-1-H GND	10-008-1-H GND
37	1	10-008-1-I EQUIPMENT GND	10-008-1-I EQUIPMENT GND
38	1	10-008-1-J PV PLUS OUT	10-008-1-J PV PLUS OUT
40	1	3-204-10 REV E MNPV6 CHASSIS	3-204-10 REV E MNPV6 CHASSIS
41	3	6-049-1 .125 IN. DIA. BY .25 IN. LONG AL. RIVET	6-049-1 .125 IN. DIA. BY .25 IN. LONG AL. RIVET
42	2	6-065-1 SCREW 10-32 X .5 FHP SS	6-065-1 SCREW 10-32 X .5 FHP SS
43	2	6-016-1 KEPS NUT 10-32 SS	6-016-1 KEPS NUT 10-32 SS

ALL TOLERANCES, UNLESS OTHERWISE STATED:		DRAWN	12/26/2011
x.xxx= +/-0.005"		Bob Q	
x.xx= +/-0.01"		CHECKED	
x.x= +/-0.05"		QA	
ALL ANGLES = +/- 1° UNLESS OTHERWISE STATED		MFG	
MATERIAL:	STANDARDS:	APPROVED	
FINISH:			
PROCESS:			

MIDNITE SOLAR, INC 

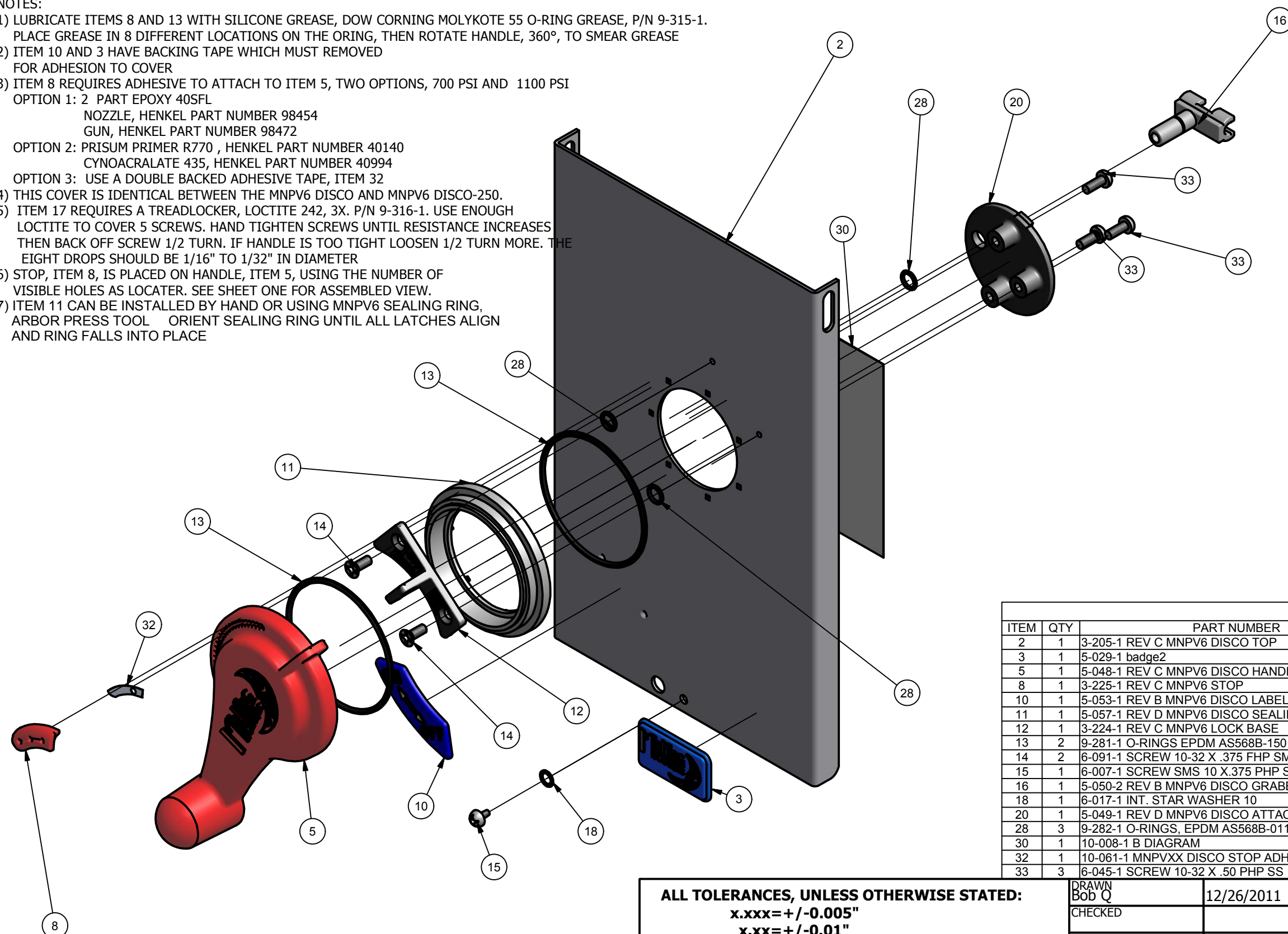
TITLE: **MNPV6 REV A DISCO 3R**

SIZE	PROJECT:	DWG NO	REV
B	MNPV6 DISCO 3R	MNPV6 REV A DISCO 3R	A

E-FILE: MNPV6 DISCO CHASSIS ASSY.iam SHEET 2 OF 5

- NOTES:
- 1) LUBRICATE ITEMS 8 AND 13 WITH SILICONE GREASE, DOW CORNING MOLYKOTE 55 O-RING GREASE, P/N 9-315-1. PLACE GREASE IN 8 DIFFERENT LOCATIONS ON THE ORING, THEN ROTATE HANDLE, 360°, TO SMEAR GREASE
 - 2) ITEM 10 AND 3 HAVE BACKING TAPE WHICH MUST REMOVED FOR ADHESION TO COVER
 - 3) ITEM 8 REQUIRES ADHESIVE TO ATTACH TO ITEM 5, TWO OPTIONS, 700 PSI AND 1100 PSI
 OPTION 1: 2 PART EPOXY 40SFL
 NOZZLE, HENKEL PART NUMBER 98454
 GUN, HENKEL PART NUMBER 98472
 OPTION 2: PRISUM PRIMER R770 , HENKEL PART NUMBER 40140
 CYNOACRALATE 435, HENKEL PART NUMBER 40994
 OPTION 3: USE A DOUBLE BACKED ADHESIVE TAPE, ITEM 32
 - 4) THIS COVER IS IDENTICAL BETWEEN THE MNPV6 DISCO AND MNPV6 DISCO-250.
 - 5) ITEM 17 REQUIRES A TREADLOCKER, LOCTITE 242, 3X. P/N 9-316-1. USE ENOUGH LOCTITE TO COVER 5 SCREWS. HAND TIGHTEN SCREWS UNTIL RESISTANCE INCREASES THEN BACK OFF SCREW 1/2 TURN. IF HANDLE IS TOO TIGHT LOOSEN 1/2 TURN MORE. THE EIGHT DROPS SHOULD BE 1/16" TO 1/32" IN DIAMETER
 - 6) STOP, ITEM 8, IS PLACED ON HANDLE, ITEM 5, USING THE NUMBER OF VISIBLE HOLES AS LOCATER. SEE SHEET ONE FOR ASSEMBLED VIEW.
 - 7) ITEM 11 CAN BE INSTALLED BY HAND OR USING MNPV6 SEALING RING, ARBOR PRESS TOOL ORIENT SEALING RING UNTIL ALL LATCHES ALIGN AND RING FALLS INTO PLACE

REVISION HISTORY			
REV.	DESCRIPTION OF CHANGE	DATE	SIGN



PARTS LIST			
ITEM	QTY	PART NUMBER	DESCRIPTION
2	1	3-205-1 REV C MNPV6 DISCO TOP	3-205-1 REV C MNPV6 DISCO TOP
3	1	5-029-1 badge2	5-029-1 badge2
5	1	5-048-1 REV C MNPV6 DISCO HANDLE	5-048-1 REV B MNPV6 DISCO HANDLE
8	1	3-225-1 REV C MNPV6 STOP	3-225-1 REV C MNPV6 STOP
10	1	5-053-1 REV B MNPV6 DISCO LABEL	5-053-1 REV A MNPV6 DISCO LABEL
11	1	5-057-1 REV D MNPV6 DISCO SEALING RING	5-057-1 REV D MNPV6 DISCO SEALING RING
12	1	3-224-1 REV C MNPV6 LOCK BASE	3-224-1 REV C MNPV6 LOCK BASE
13	2	9-281-1 O-RINGS EPDM AS568B-150	9-281-1 O-RINGS EPDM AS568B-150
14	2	6-091-1 SCREW 10-32 X .375 FHP SMS SS	6-091-1 SCREW 10-32 X .375 FHP SMS SS
15	1	6-007-1 SCREW SMS 10 X.375 PHP SS	6-007-1 SCREW SMS 10-32 X.375 PHP SS
16	1	5-050-2 REV B MNPV6 DISCO GRABBER	5-050-2 REV B MNPV6 DISCO GRABBER
18	1	6-017-1 INT. STAR WASHER 10	6-017-1 INT. STAR WASHER NO.10 SS
20	1	5-049-1 REV D MNPV6 DISCO ATTACHMENT PLATE	5-049-1 REV D MNPV6 DISCO ATTACHMENT PLATE
28	3	9-282-1 O-RINGS, EPDM AS568B-011	9-282-1 O-RINGS, EPDM AS568B-011
30	1	10-008-1 B DIAGRAM	10-008-1 B DIAGRAM
32	1	10-061-1 MNPVXX DISCO STOP ADHESIVE TAPE	10-061-1 MNPVXX DISCO STOP ADHESIVE TAPE
33	3	6-045-1 SCREW 10-32 X .50 PHP SS	6-045-1 SCREW 10-32 X .50 PHP SS

ALL TOLERANCES, UNLESS OTHERWISE STATED: x.xxx= +/-0.005" x.xx= +/-0.01" x.x= +/-0.05" ALL ANGLES = +/- 1° UNLESS OTHERWISE STATED		DRAWN Bob Q 12/26/2011	
MATERIAL:		CHECKED	
FINISH:		QA	MNPV6 REV A DISCO 3R
PROCESS:		MFG	
STANDARDS:		APPROVED	TITLE
			SIZE: B PROJECT: MNPV6 DISCO 3R DWG NO: MNPV6 REV A DISCO 3R REV: A
			E-FILE: MNPV6 DISCO FRONT COVER ASSY.iam SHEET 3 OF 5

B

A

REVISION HISTORY

REV.	DESCRIPTION OF CHANGE	DATE	SIGN
------	-----------------------	------	------

REWORK INSTRUCTION FOR FIRST PRODUCTION UNITS;

- °TOP COVER MUST BE PUNCHED FOR DETENTS
- °LOCK BASE MUST BE FILED TO PREVENT DAMAGE TO HANDLE
- °GREEN SLIDERS WILL BE REPLACE WITH BLACK SLIDERS, ONCE THEY ARRIVE
- °ADD CERTIFICATION LABEL OVER SIDE KNOCK OUTS UNTIL NEW CHASSIS'S ARE AVAILABLE

BOXING INSTRUCTIONS:


- ° BOX PART NUMBER IS 9-290-1
- ° CORNER PART NUMERS IS 9-209-2, 4X
- ° INSTALL IN 18" X 24" CLEAR PLASTIC BAG TO PROTECT HANDLE
- ° MARK OUTSIDE OF BOX IN DESIGNATED AREA, AS EITHER EMPTY OR WITH FUSE VALUES

B

B

A

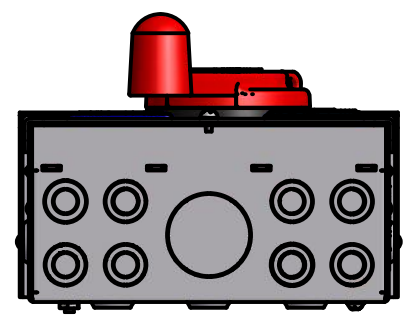
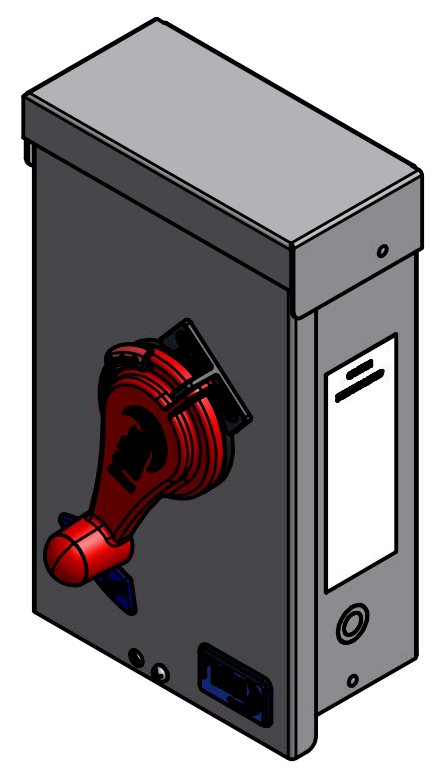
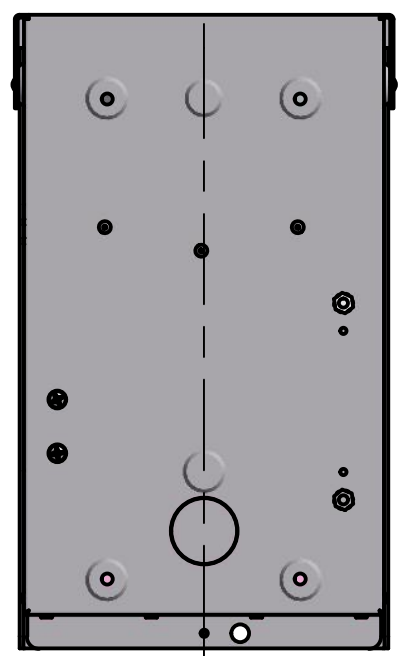
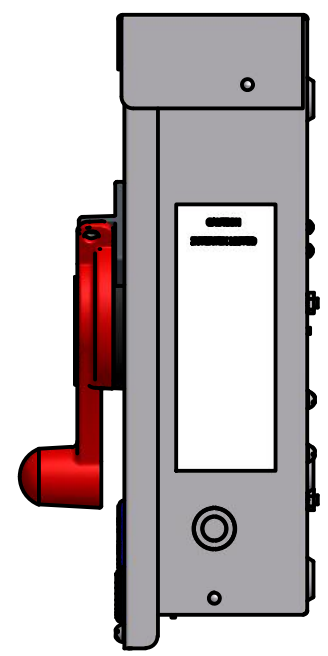
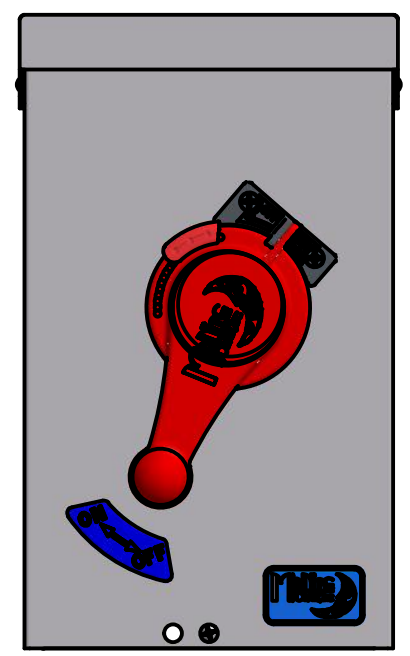
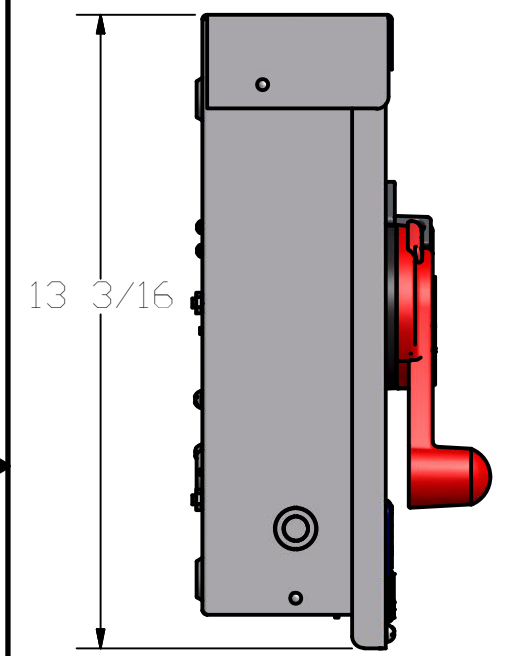
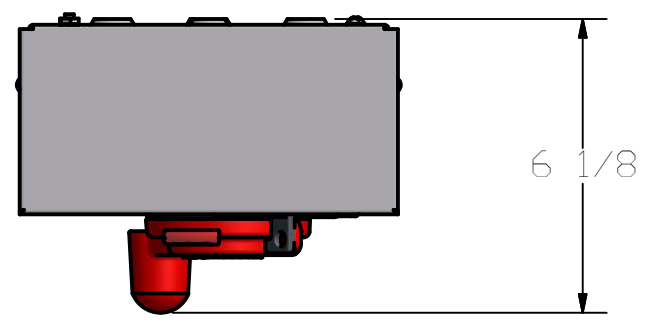
A

ALL TOLERANCES, UNLESS OTHERWISE STATED: x.xxx= +/-0.005" x.xx= +/-0.01" x.x= +/-0.05" ALL ANGLES = +/- 1° UNLESS OTHERWISE STATED		DRAWN Bob Q	12/26/2011			
		CHECKED				
		QA				
		MFG				
MATERIAL:	STANDARDS:	APPROVED		TITLE		
FINISH:				MNPV6 REV A DISCO 3R		
PROCESS:				SIZE B	PROJECT: MNPV6 DISCO 3R	DWG NO MNPV6 REV A DISCO 3R
			E-FILE:	SHEET 4 OF 5		

B


A

REVISION HISTORY			
REV.	DESCRIPTION OF CHANGE	DATE	SIGN



ALL TOLERANCES, UNLESS OTHERWISE STATED: x.xxx= +/-0.005" x.xx= +/-0.01" x.x= +/-0.05" ALL ANGLES = +/- 1° UNLESS OTHERWISE STATED	
MATERIAL:	STANDARDS:
FINISH:	
PROCESS:	

DRAWN Bob Q	12/26/2011
CHECKED	
QA	
MFG	
APPROVED	

MIDNITE SOLAR, INC 

TITLE
MNPV6 REV A DISCO 3R

SIZE B	PROJECT: MNPV6 DISCO 3R	DWG NO MNPV6 REV A DISCO 3R	REV A
-----------	----------------------------	--------------------------------	----------

E-FILE: MNPV6 REV A DISCO 3R.iam SHEET 5 OF 5