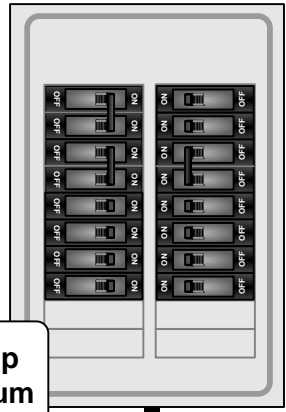
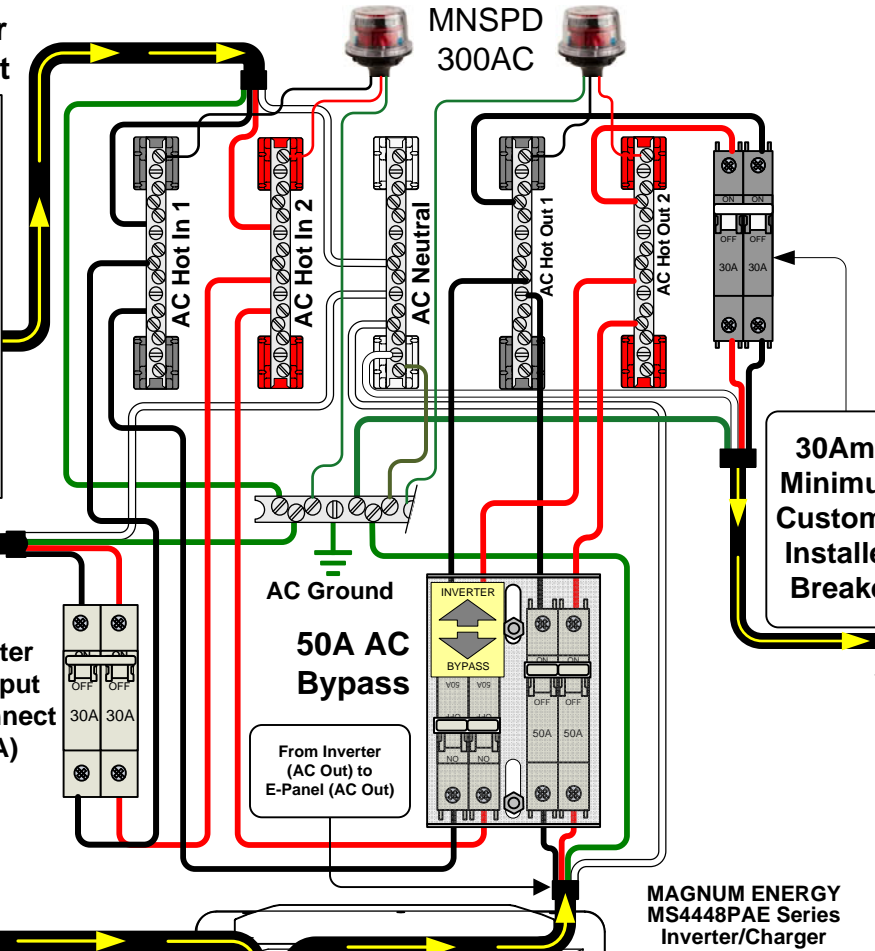
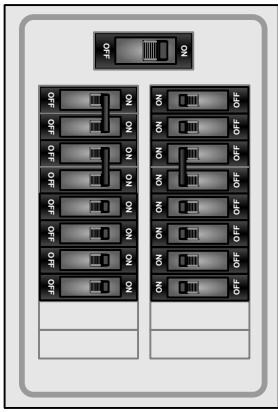


Utility or Generator  
120/240VAC Output

MNSPD  
300AC

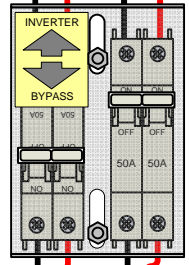
120/240VAC  
Load Panel



From E-Panel (AC In) to Inverter (AC In)

Inverter AC Input Disconnect (30A)

AC Ground  
50A AC Bypass



MAGNUM ENERGY MS4448PAE Series Inverter/Charger

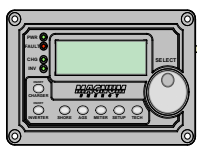
From E-Panel (AC out) to Load Center

Optional Breakers/Disconnects (6 spaces max @ 13mm)

### AC WIRING

### DC WIRING

Remote Control RC-50, ARC50 or Magnum Router



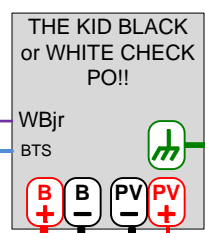
Battery Temperature Sensor

DC - Buss

DC Shunt

Main Battery Shutoff 175A

DC + Buss



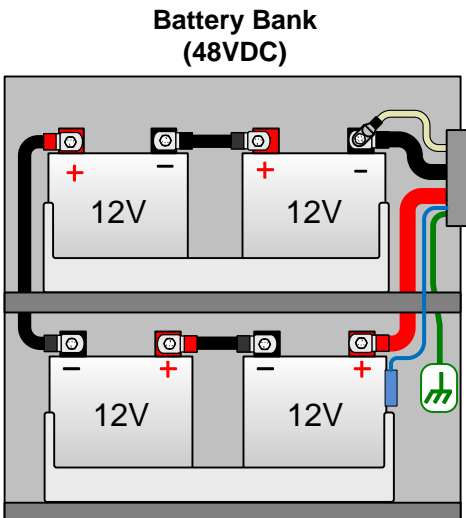
MNEPV30 Bat Breaker

MNEPV30 PV IN

MNDC-GFP63

PV - Buss

PV + Buss



Battery Bank (48VDC)

DC Ground

Note AC and DC Grounds go to the Same BusBar, Drawn Separate for clarity