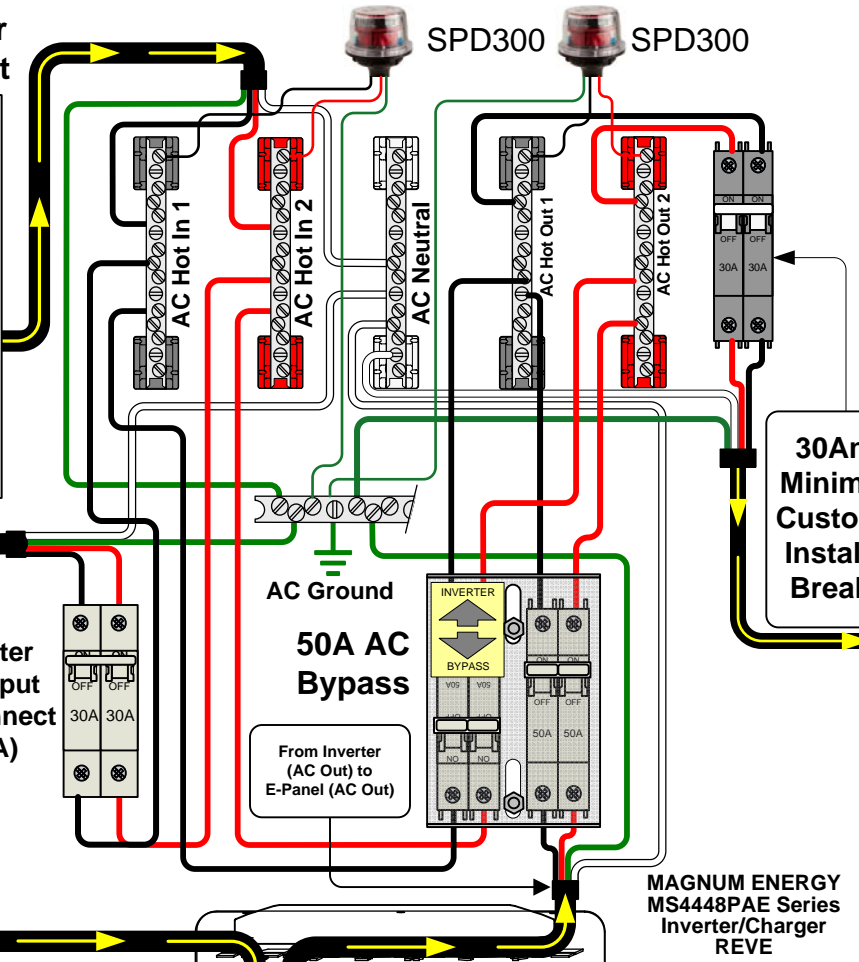
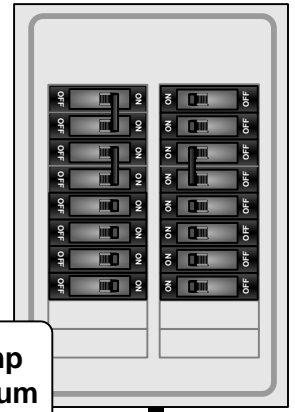
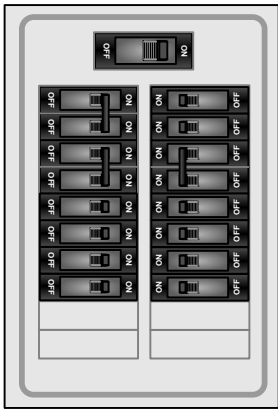


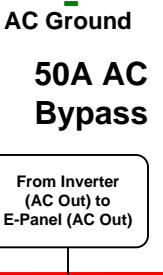
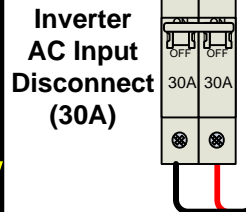
Utility or Generator
120/240VAC Output

120/240VAC
Load Panel

SPD300 SPD300



From E-Panel (AC In) to Inverter (AC In)



30Amp Minimum Customer Installed Breaker

From E-Panel (AC out) to Load Center

MAGNUM ENERGY MS4448PAE Series Inverter/Charger REVE

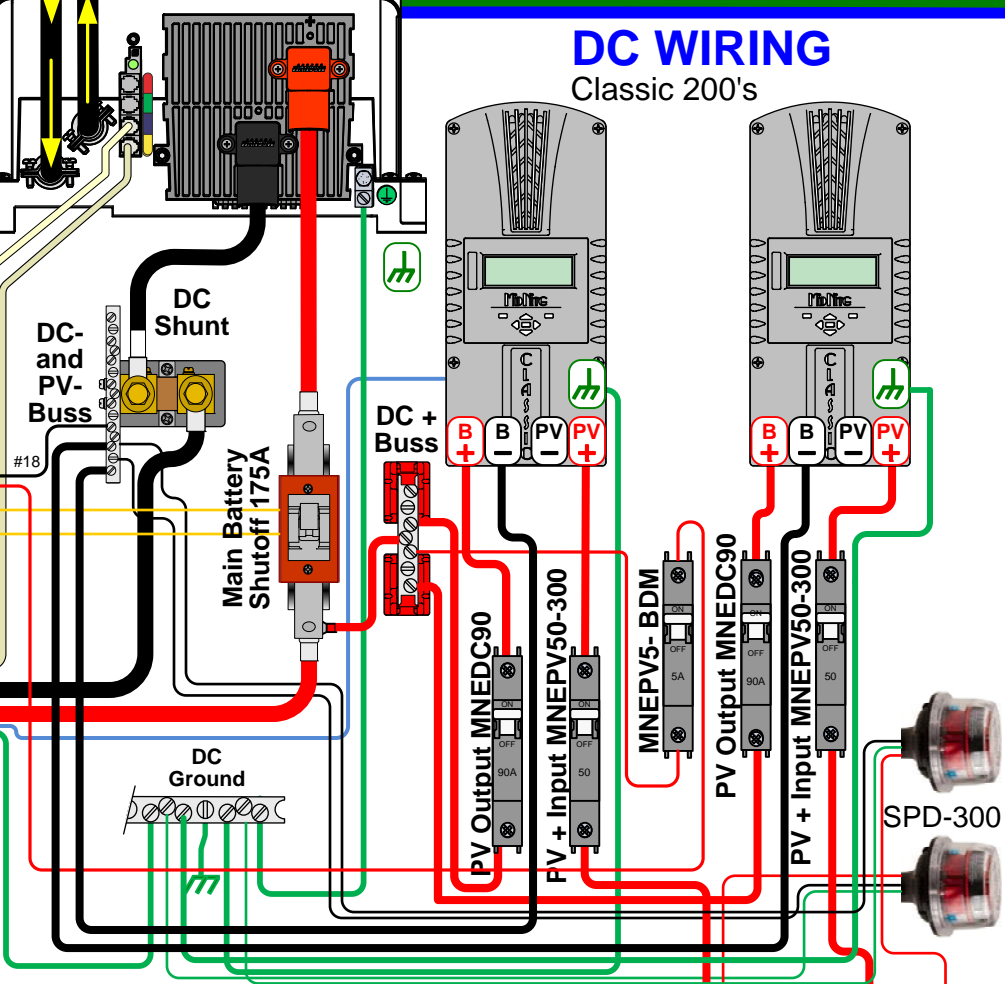
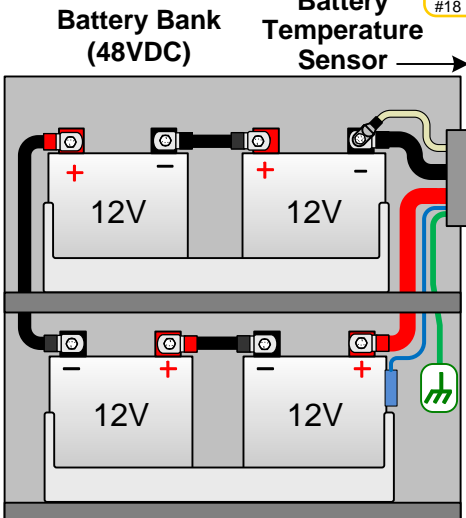
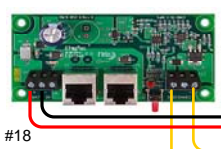
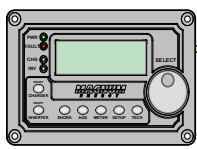
Optional Breakers/Disconnects (6 spaces max @ 13mm)

AC WIRING

DC WIRING

Classic 200's

Remote Control RC-50, ARC50 or Magnum Router



Note AC and DC Grounds go to the Same BusBar, Drawn Separate for clarity

