

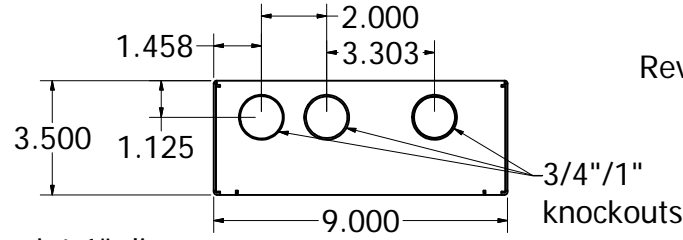
4

3

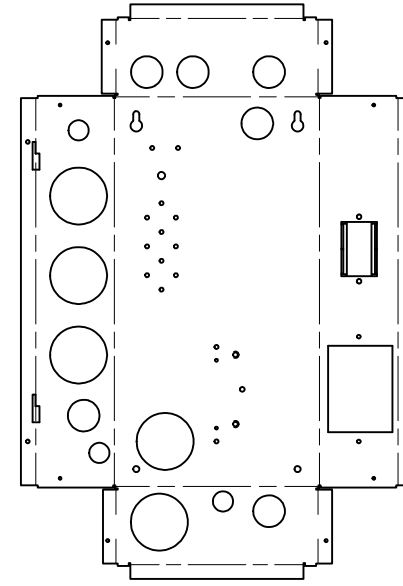
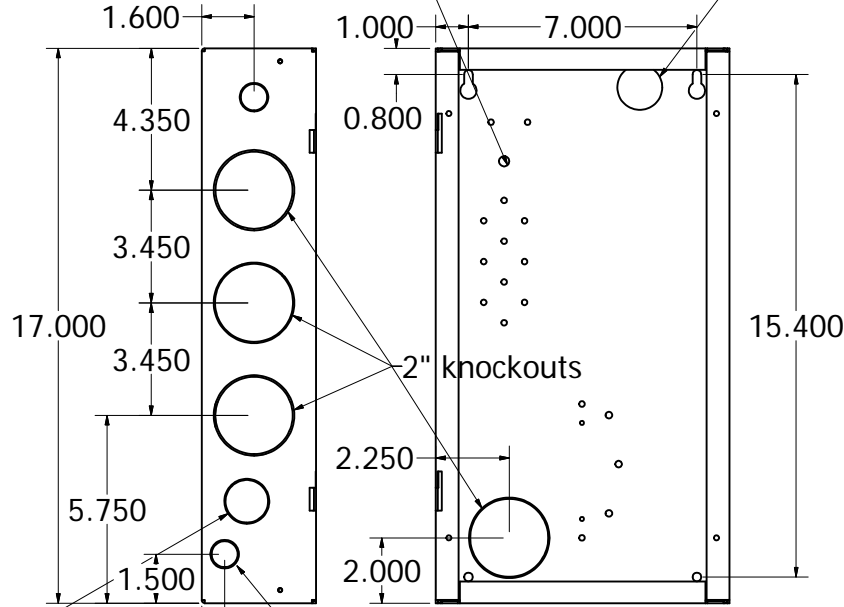
2

1

Rev A: added 1.375 KO on left side



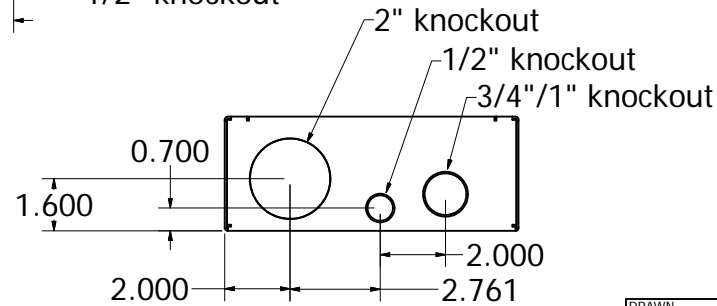
5/16" press in stud. Mask chassis from paint 1" dia.



Flat Pattern

3/4"/1" knockout (1.093/1.375)

a single 1.375" knockout is ok



Material: .063 aluminum
powder coat using Cardinal WH11
Solid Model File: little breaker box-3.ipt

DRAWN Robin Gudgel	4/15/2006	MidNite Solar		
CHECKED		TITLE		
QA		MNDK Chassis		
MFG				
APPROVED				
		SIZE C	DWG NO little breaker box-3	REV A
		SCALE	SHEET 1 OF 1	

4

3

4

2

1

D

D

C

C

B

B

A

A