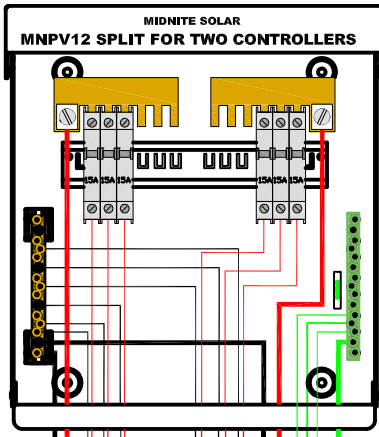


15 SIE170 PV MODULES

15 SIE170 PV MODULES



MIDNITE SOLAR
ULTRALITE E-PANEL
MNE175STULITE-L

FM60

MIDNITE SOLAR
ULTRALITE E-PANEL
MNE175STULITE-L

FM60

GVFX3648

GVFX3648

MIDNITE
NOTTAGUTTER

BATTERY BACKED UP
SUB-PANEL

NEUTRAL

NEUTRAL

GROUND

AC INPUT

AC OUTPUT

BATTERY POS

BATTERY NEGATIVE

48V BATTERY
BANK
(8) AGM-98Ah
IN MIDNITE
MNBE-B BOX

UTILITY

MAIN SERVICE ENTRANCE

120/240 VAC
KWH METER
FORM 12-S

PRODUCTION
METERS

120/240 VAC
KWH METER
FORM 12-S

120/240VAC
DISCONNECT

