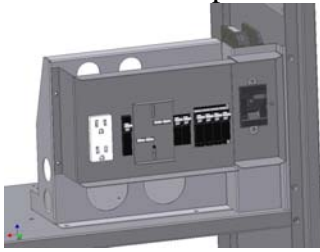
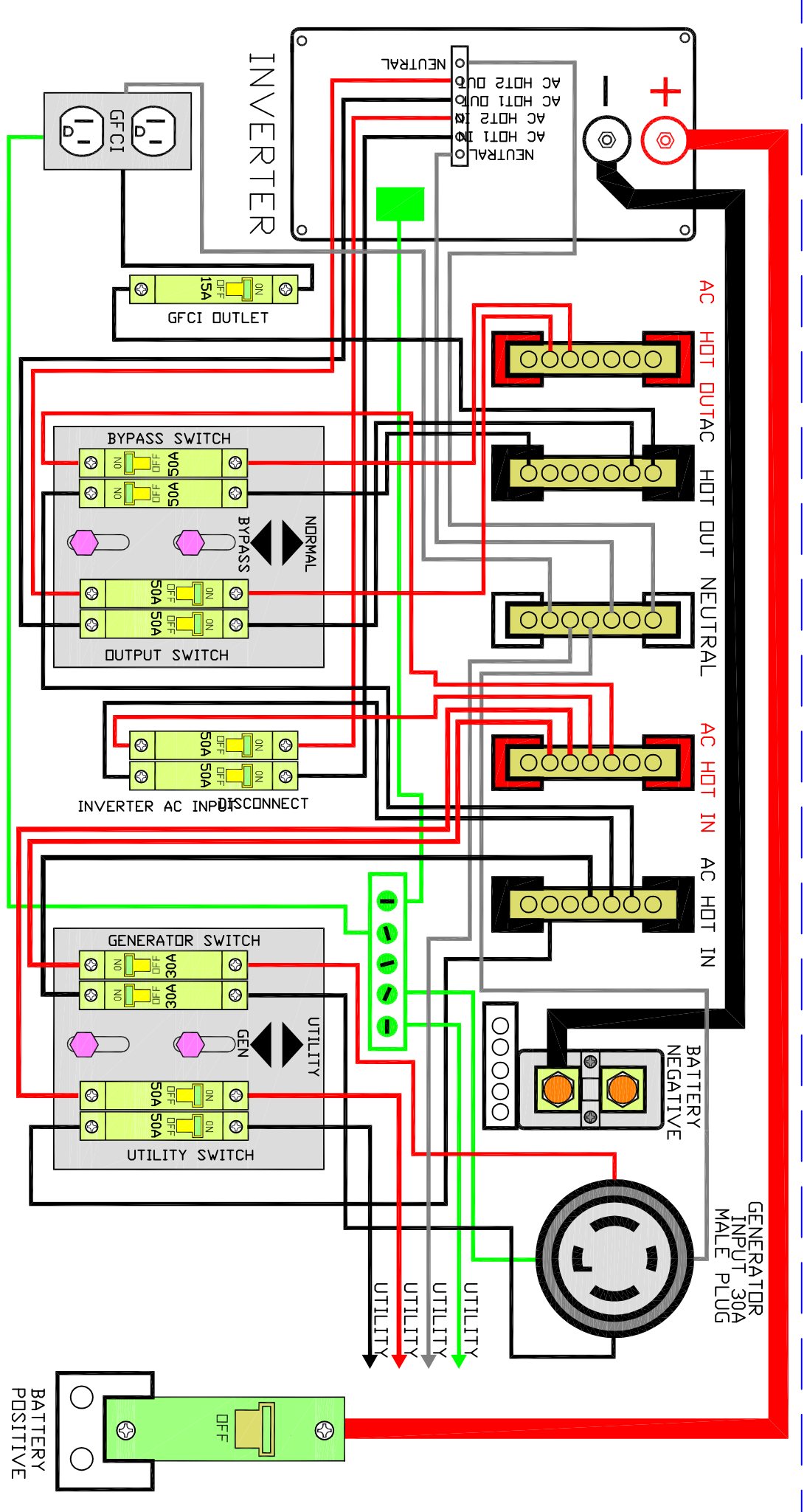


240VAC back up kit with 63 amp Charge control breakers



- 1 3-069-1 Main breaker bracket
- 1 3-094-1 outlet bracket
- 1 3-02-1 din rail PS
- 1 3-112-1 breaker cover 240 with breakers
- 2 6-054-1 Snap in bushing 2.5"
- 5 6-039-1 Snap in bushing 1.375"
- 5 6-038-1 rivet, 1/8" x 1/4"
- 1 5-023-1 fan adapter
- 1 3-088-1 fan mesh
- 1 9-005-1=125 amp, 9-006-1=175 amp, 9-007-1=250 amp breaker
- 2 9-076-1 50 amp two pole QZD breaker
- 1 9-050-1 15 amp 120VAC QL breaker
- 1 9-151-1 30 amp two pole QZD breaker
- 2 MNEPV63 Circuit breaker 63 amp/150VDC
- 2 6-001-1 spacer, .50 OD, .20 ID, .312 long
- 1 3-080-1 Slider, dual
- 2 6-009-1 Nut, Nylock 8-32 stainless steel
- 2 6-006-1 screw 10-32 x 3/8 PHP MS big breaker mounting
- 1 6-029-1 Screw #10 x 3/8" FHP SMS type B breaker bracket to side mounting
- 18 6-055-1 Screw #10 x 5/8 PHP SMS type B insulators, breaker bracket
- 1 9-004-1 Shunt 500 amp 50mV
- 1 9-037-1 Busbar, 4.6" (bat neg mounted to shunt)
- 5 9-096-1 Busbar, 2.3" (AC terminal busbars)
- 2 5-015-2 Insulator, white for AC neutral
- 4 5-015-1 Insulator, black for AC leg 1
- 4 5-015-3 Insulator, red for AC leg 2
- 1 9-097-1 Ground busbar, green screws
- 1 10-002-1 Label set, E-Panel modified
- 1 9-129-1 GFCI outlet
- 2 6-053-1 Screw, #8 x 1" PHP SMS SS Type B (mounting the ground busbar)
- 2 6-012-1 Screw, 6-32 x 3/8" FHP MS SS (mounting the GFCI outlet)
- 4 6-056-1 Screw, 6-32 x 2" PHP MS SS (mounting fan to side)
- 4 6-032-1 Screw, 1/4"-20 x .75" PHP MS Zinc (inverter mounting)
- 4 6-033-1 Kepnut, 1/4" -20 Zinc (inverter mounting)
- 4 6-002-1 Kepnut, 6-32 SS (fan mounting)
- 4 6-018-1 Screw, 6-32 x 3/8" PHP MS SS (fan mesh mounting when no fan)
- 2 6-006-1 Screw 10-32 X 3/8" PHP MS SS
- 1 3-093-1 Bracket, MX60 mounting
- 1 10-015-2 label, wiring diagram 240VAC PBU with gen input



NEUTRAL
AC HOT1
AC HOT2
AC HOT1
AC HOT2
AC HOT2
AC HOT1
NEUTRAL

INVERTER

GFCI

15A
GFCI OUTLET

BYPASS SWITCH

NORMAL
BYPASS

OUTPUT SWITCH

INVERTER AC INPUT DISCONNECT

GENERATOR SWITCH

UTILITY
GEN

UTILITY SWITCH

BATTERY
NEGATIVE

GENERATOR
INPUT 30A
MALE PLUG

UTILITY
UTILITY
UTILITY
UTILITY

BATTERY
POSITIVE

AC HOT OUT AC
HOT OUT
NEUTRAL

AC HOT IN
AC HOT IN