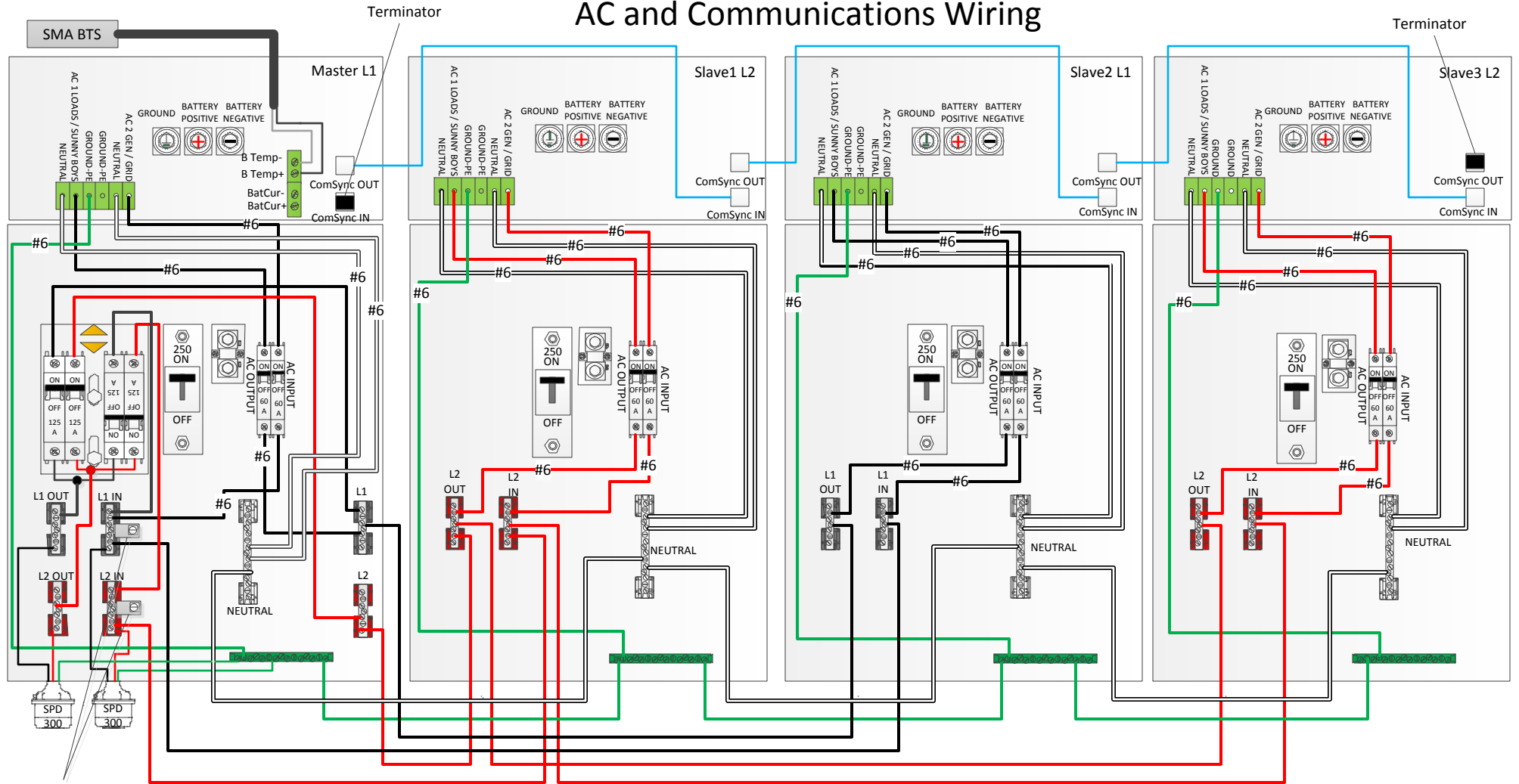


QUAD SUNNY ISLAND WITH RSS AC COUPLED AC and Communications Wiring



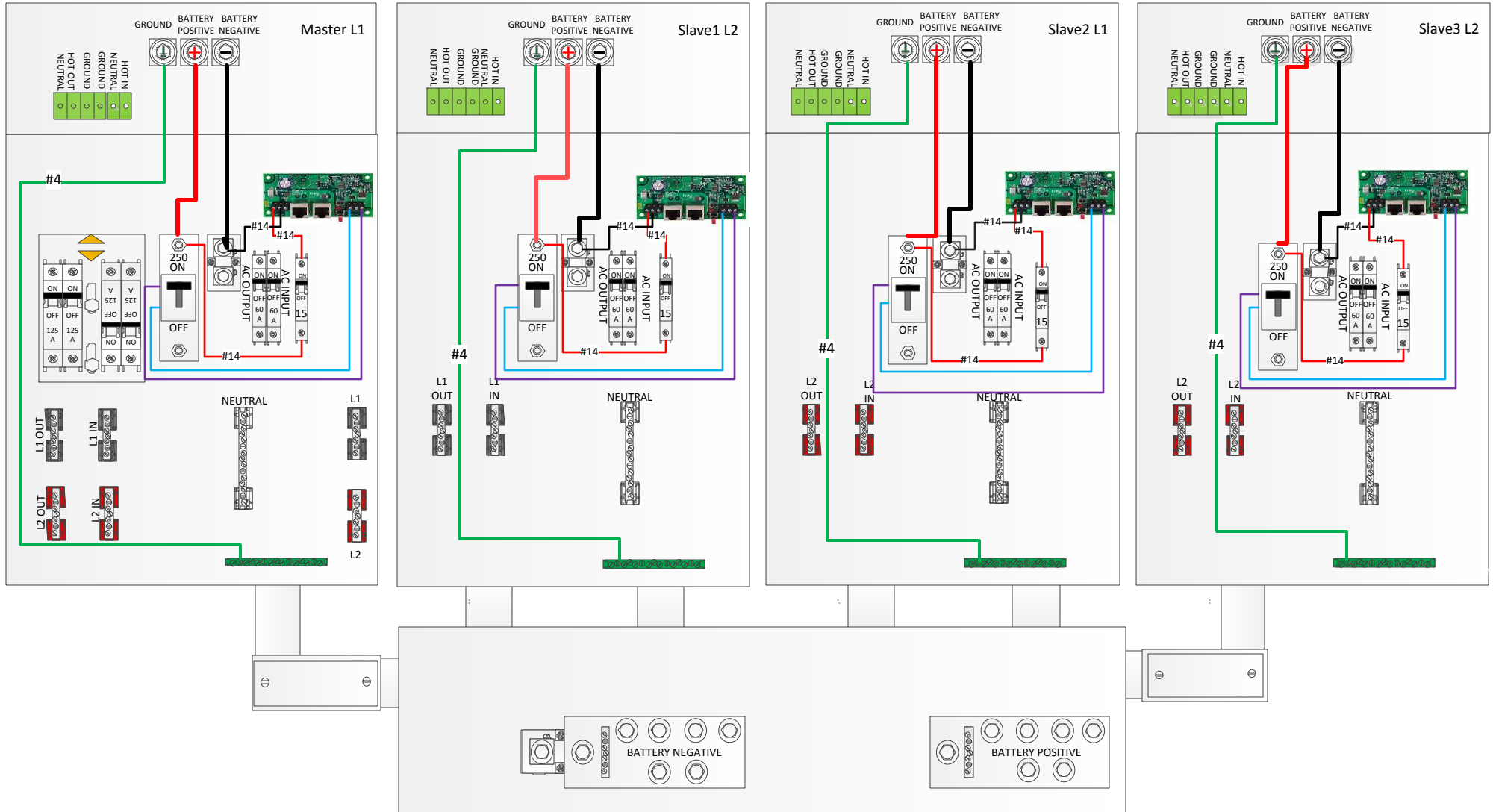
Add bus bars for
customers Large AC IN
wires

ALL AC WIRING IS #2 UNLESS MARKED OTHERWISE.

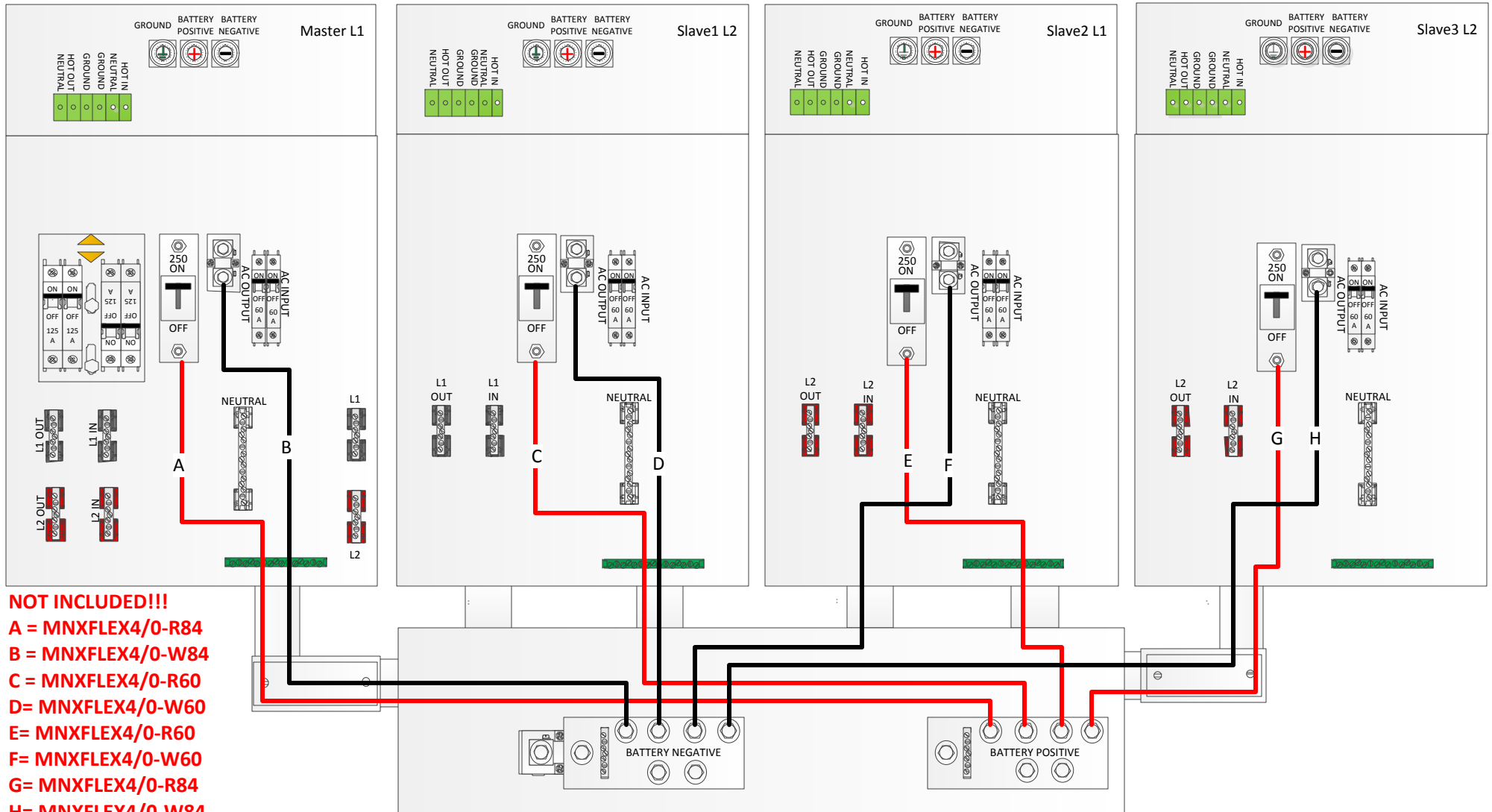
BASICALLY ALL WIRES FROM EACH INDIVIDUAL INVERTER WILL BE #6 AND ALL OTHERS ARE #2

DC WIRING by MidNite

**ALL CABLES 2/0
UNLESS MARKED.**



DC WIRING by Customer



NOT INCLUDED!!!

- A = MNXFLEX4/0-R84
- B = MNXFLEX4/0-W84
- C = MNXFLEX4/0-R60
- D = MNXFLEX4/0-W60
- E = MNXFLEX4/0-R60
- F = MNXFLEX4/0-W60
- G = MNXFLEX4/0-R84
- H = MNXFLEX4/0-W84

NON INCLUDED CONDUIT PARTS:

- 1 - 2 inch PVC LL
- 1 - 2 inch PVC LR
- 12 - 2 inch male adapters with lock nuts and bushings
- 5-6ft of 2 inch schedule 40 PVC conduit

Customer Wiring

