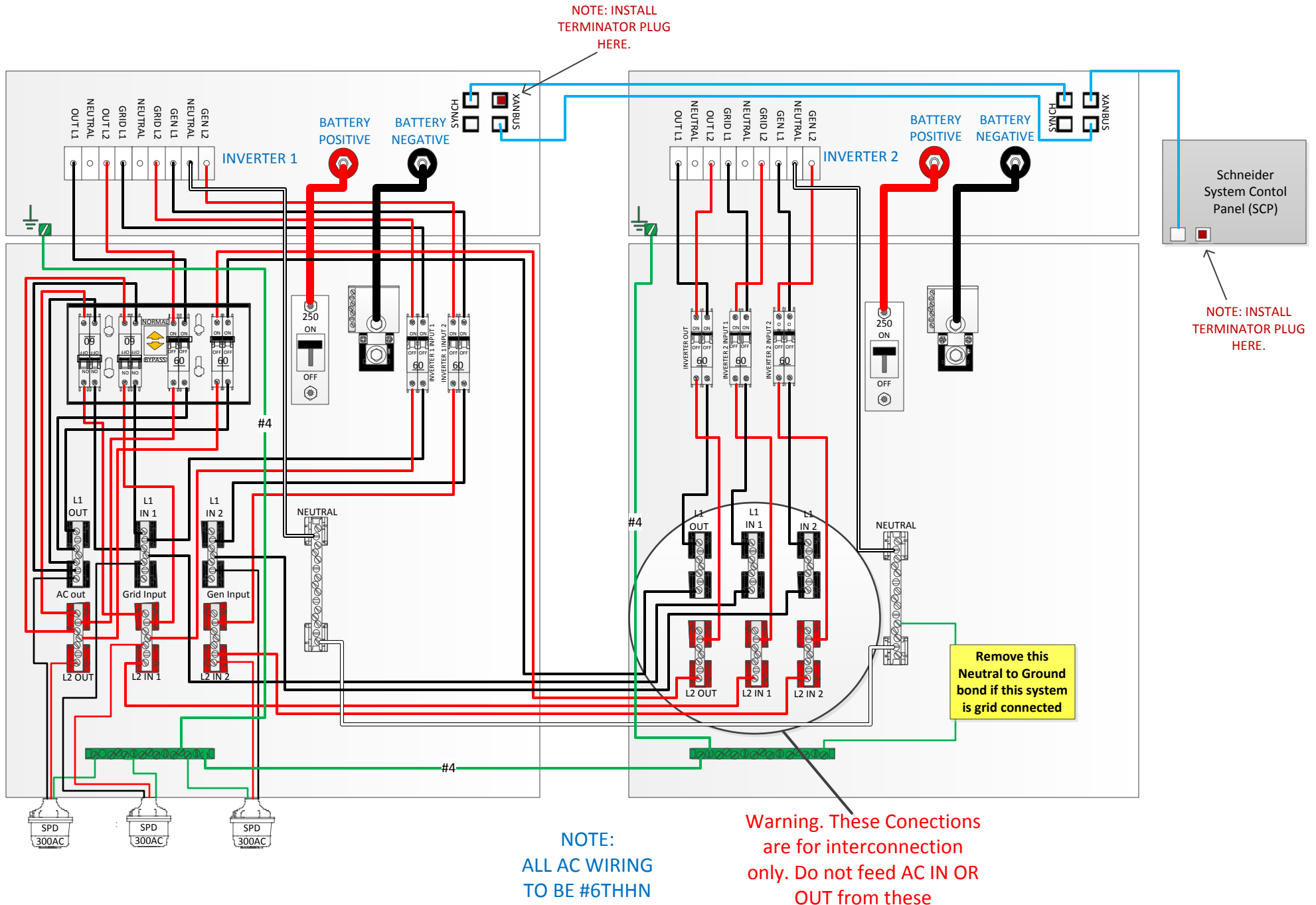
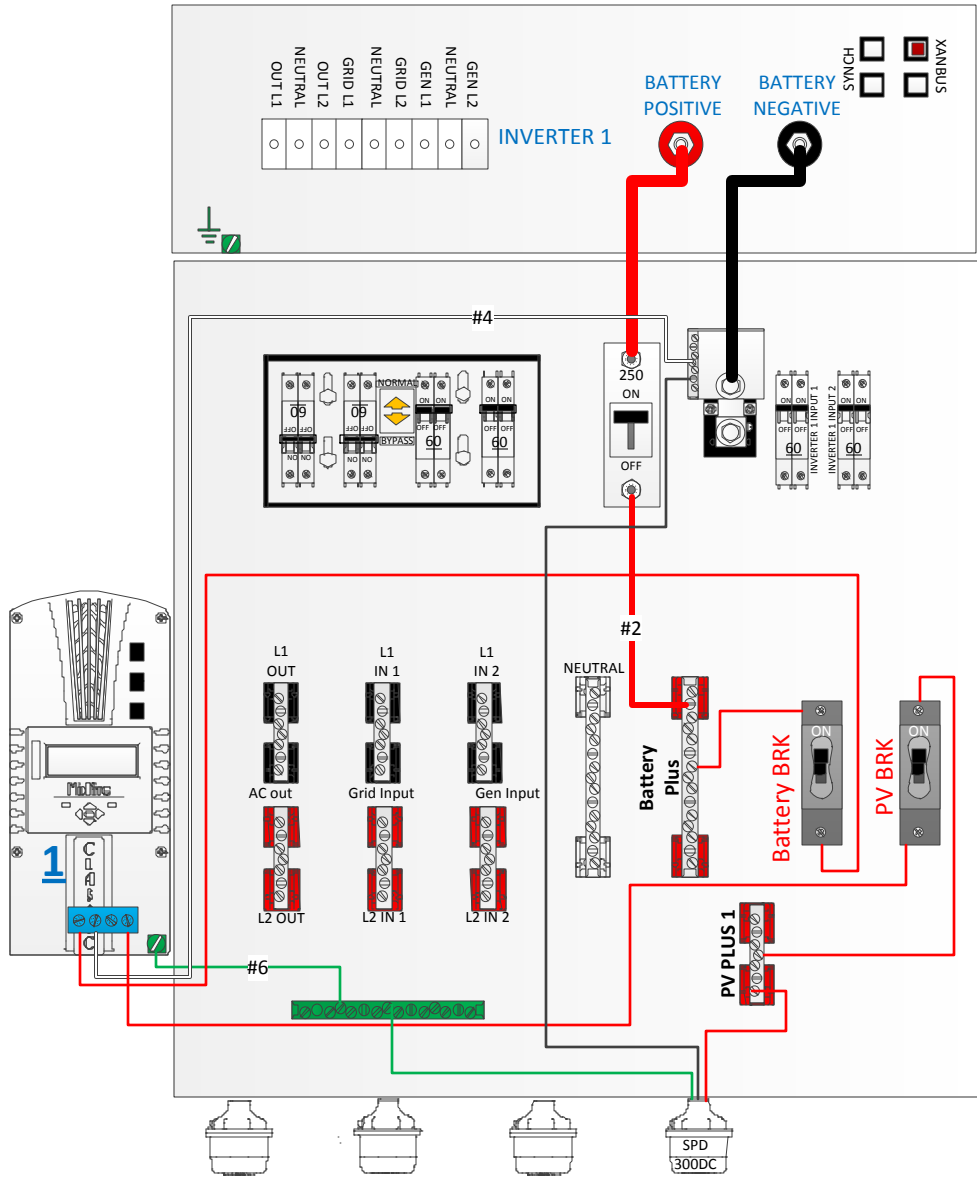


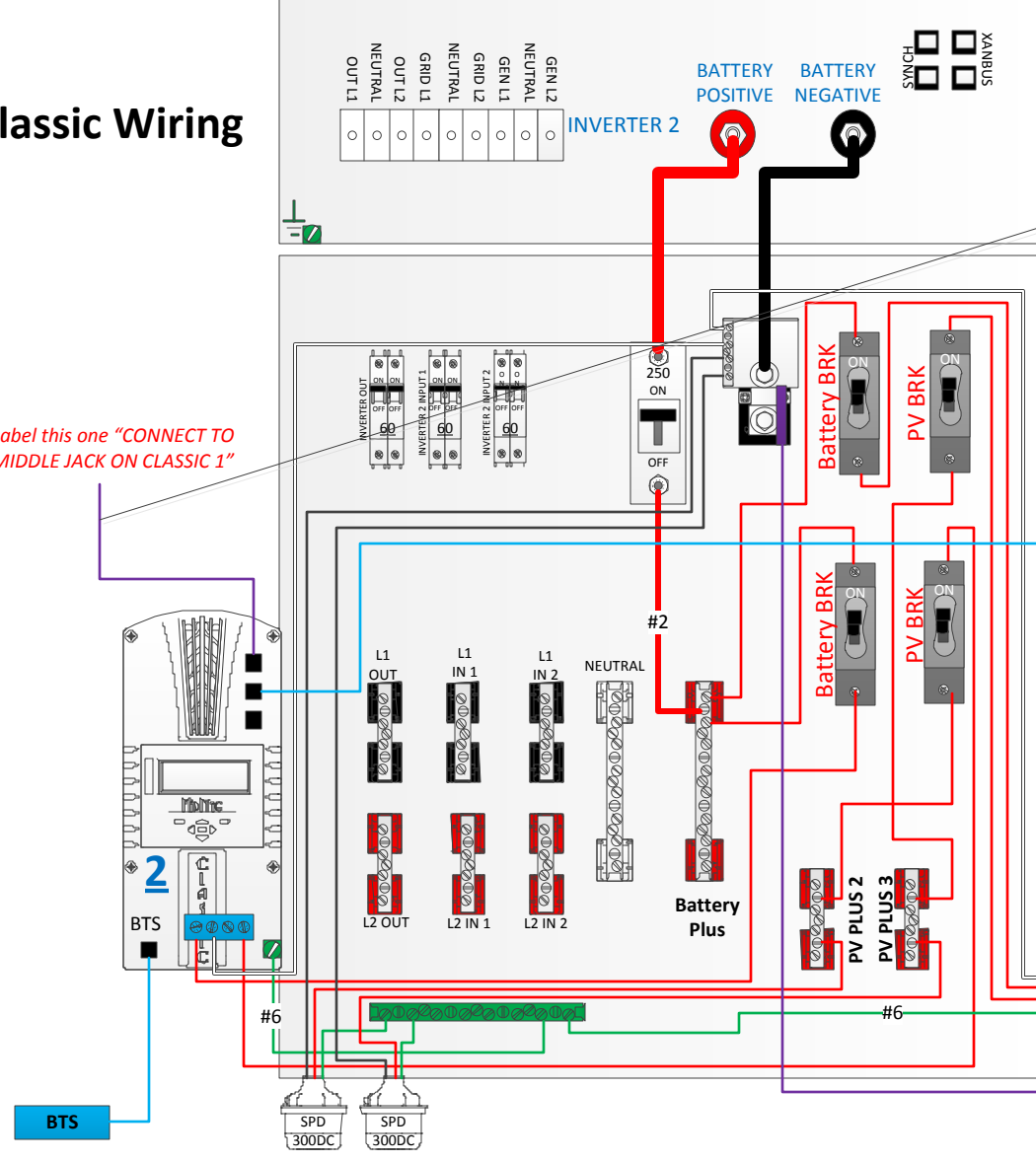
Dual Schneider XW Plus with 3 Classics



	BATT BREAKER	PV BREAKER	PV WIRE
CL150	MNEDC100	MNEDC70	#4 AWG
CL200	MNEDC80	MNEDC60-300	#6 AWG
CL250	MNEDC70	MNEDC60-300	#6 AWG



Classic Wiring



These 2 Follow me cables should be made from the extra 2 BTS's and should be 14ft long each

Label this one "CONNECT TO MIDDLE JACK ON CLASSIC 1"

Label this one "CONNECT TO BOTTOM JACK ON CLASSIC 1"

WIRING DONE BY CUSTOMER

